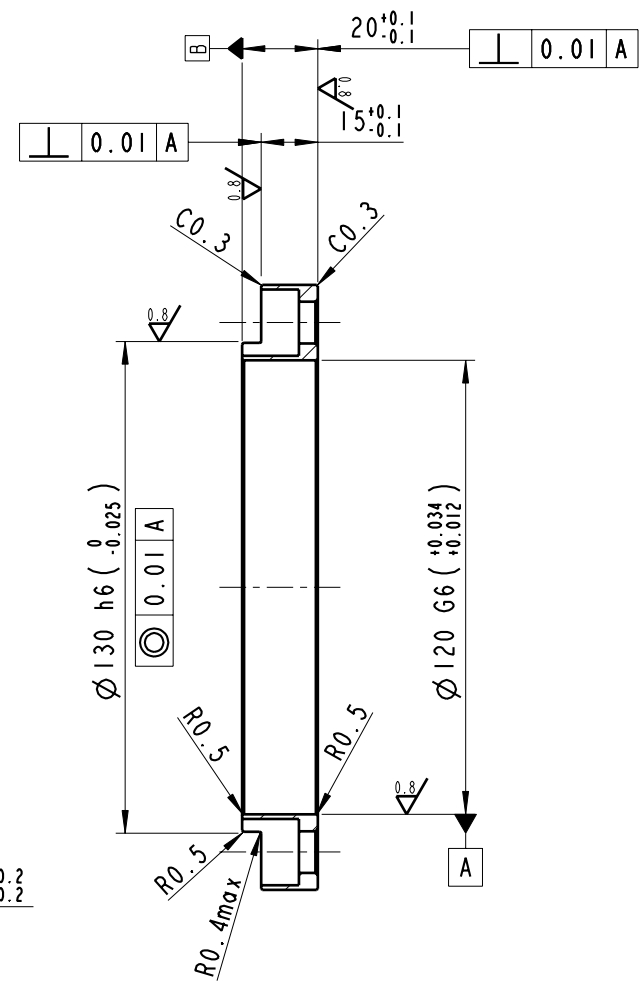


4- $\varnothing 11^{+0.1}_{-0.1}$ Thru.
 $\varnothing 17.5^{+0.1}_{-0.1} \times 15^{+0.3}_{-0.1}$ Dep
 C0.6, $90^{\circ \pm 0.2^{\circ}}$ Apart
 From B



Hardness 60 ± 5 HRB
 Mass = 0.517 Kg
 Fix Plate For AE155-B5

SCALE 3:10

	AL6061		PF150001	Front Plates	
No	Material	Qty	Part No	Part Name	
Dwg Name	FP-WI60-D130			Page	1 / 1
Dwg No	PF150001			Size	A4
Appover				Scale	1:2
Checker				Date	01-Nov-05
Designer	Jacky Hsueh	Drawer	Jacky Hsueh		

APEX DYNAMICS, INC.

Rev No	Revision Content	Reviser	Approver	Date
--------	------------------	---------	----------	------