

Air-Powered Gearmotors

4AM Series, 20:1 reduction, 100 – 750 lbs. in. (10 – 82 Nm) torque at 15 rpm (minimum speed reduction)



MODEL

4AM-70C-CB20

(8 Vanes, Reversible)

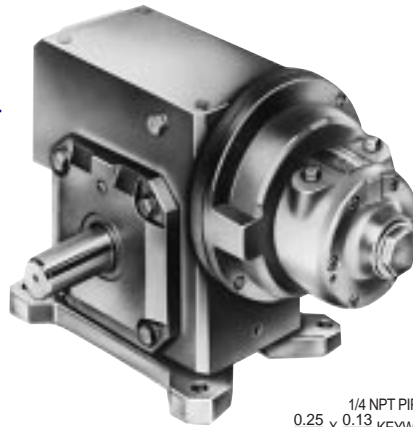
Net wt. for standard configuration
60 lbs. (27,0 kg)

FEATURES

- 20:1 gear reducer
- Base mounting
- Optional mountings and shaft locations available
- Muffler AL445 (not shown)

RECOMMENDED

- Filter AH103F
- Regulator AH104R
- Gauge AA806
- Lubricator AH105L
- Oil AD220 – 1 quart (.94 litres)
- Repair kit K280A (Air motor only)

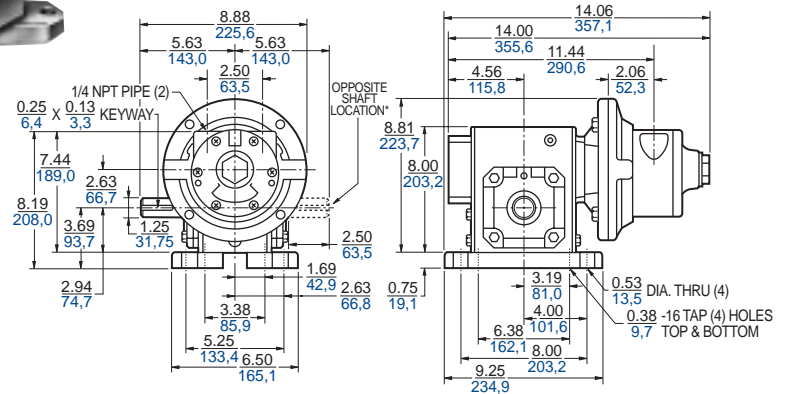


Max. allowable end thrust with 0 overhung load is 2259 lbs. (1016,6 kg) at 30 rpm to 1335 lbs. (600,8 kg) at 150 rpm. Max. overhung load on output shaft with 0 end thrust 1601 lbs. (720,4 kg).

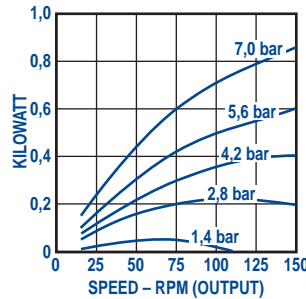
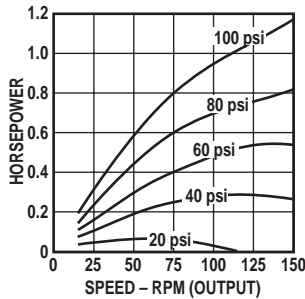
"B" Mounting (photo)

4AM-70C-CB20 / *4AM-70C-CF20
(standard shaft) / (opposite shaft)

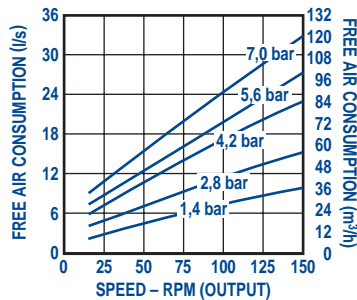
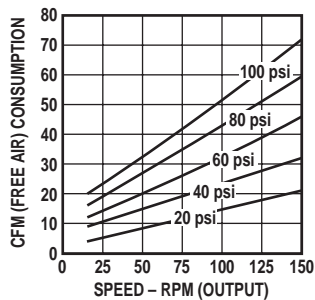
inches / mm



Output Power vs. Speed



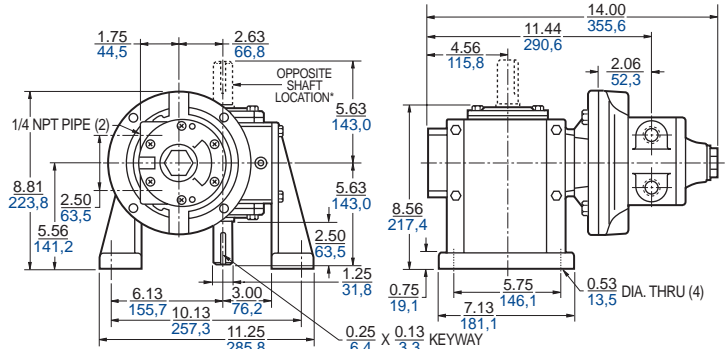
Air Consumption vs. Speed



"C" Mounting

4AM-70C-CC20 / *4AM-70C-CG20
(standard shaft) / (opposite shaft)

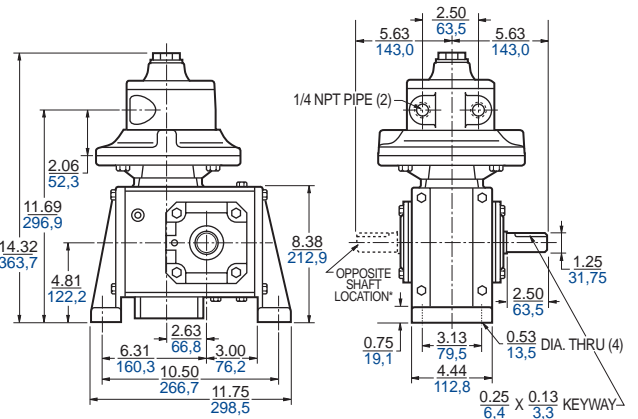
inches / mm



"D" Mounting

4AM-70C-CD20 / *4AM-70C-CH20
(standard shaft) / (opposite shaft)

inches / mm



Torque vs. Speed

