

# Air-Powered Gearmotors

4AM Series, 40:1 reduction, 100 – 1250 lbs. in. (11 – 140 Nm) torque at 10 rpm (minimum speed reduction)



## MODEL

### 4AM-70C-CB40

(8 Vanes, Reversible)

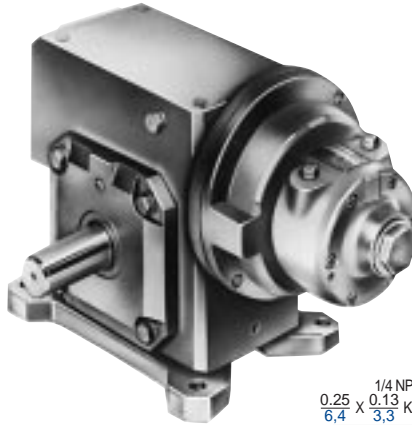
Net wt. for standard configuration  
60 lbs. (27,0 kg)

## FEATURES

- 40:1 gear reducer
- Base mounting
- Optional mounting and shaft locations available
- Muffler AL445 (not shown)

## RECOMMENDED

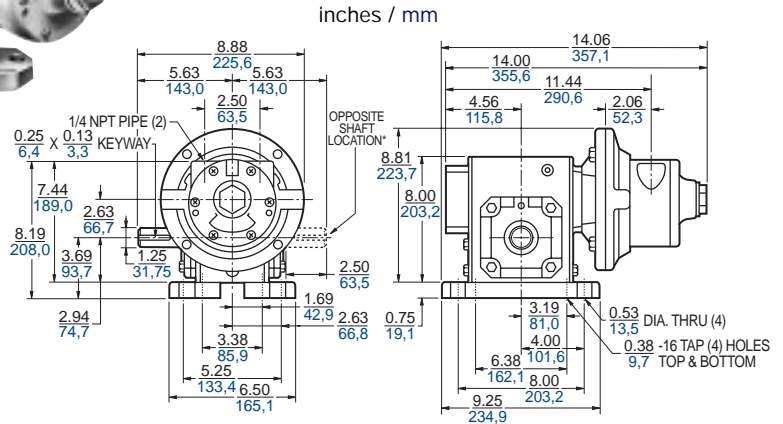
- Filter AH103F
- Regulator AH104R
- Gauge AA806
- Lubricator AH105L
- Oil AD220 – 1 quart (.94 litres)
- Repair kit K280A (Air motor only)



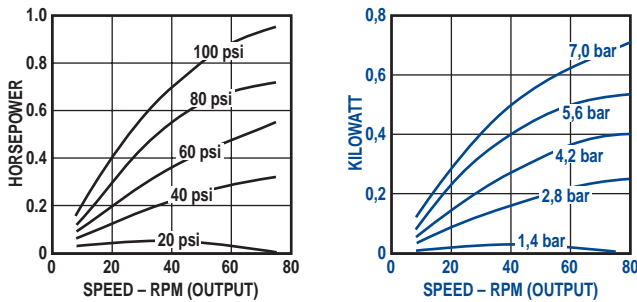
Max. allowable end thrust with 0 overhung load is 3049 lbs. (1372,1 kg) at 15 rpm to 1823 lbs. (820,4 kg) at 75 rpm. Max. overhung load on output shaft with 0 end thrust 1601 lbs. (720,5 kg).

### "B" Mounting (photo)

4AM-70C-CB40 / \*4AM-70C-CF40  
(standard shaft) / (opposite shaft)

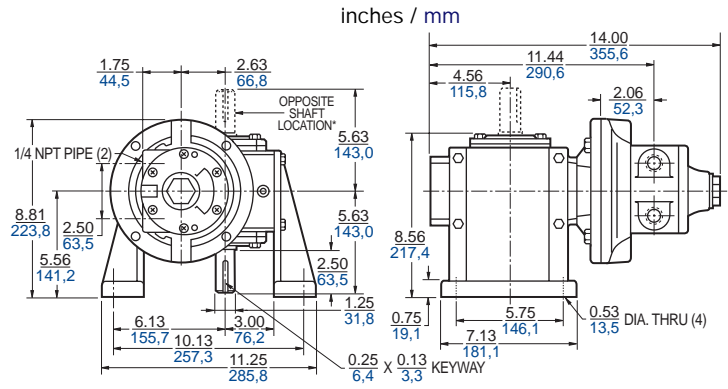


## Output Power vs. Speed

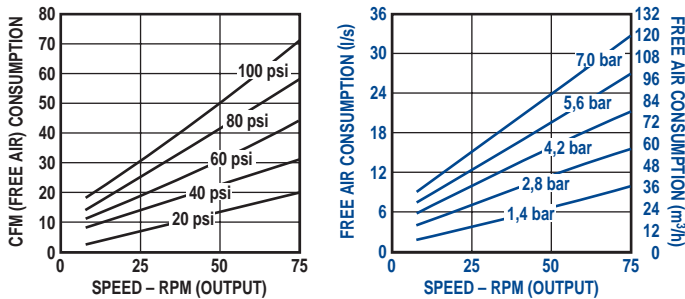


### "C" Mounting

4AM-70C-CC40 / \*4AM-70C-CG40  
(standard shaft) / (opposite shaft)

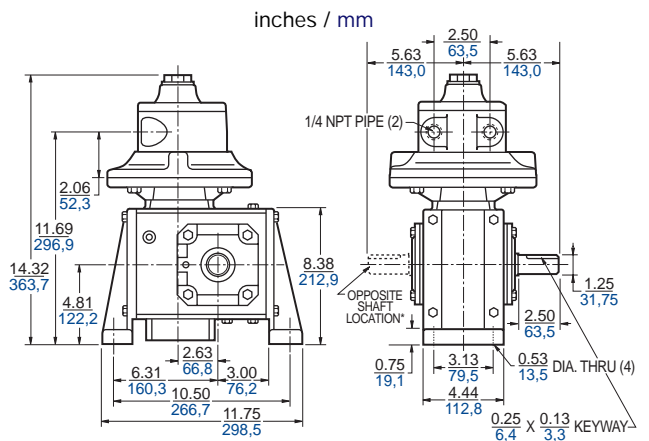


## Air Consumption vs. Speed



### "D" Mounting

4AM-70C-CD40 / \*4AM-70C-CH40  
(standard shaft) / (opposite shaft)



## Torque vs. Speed

