



# Air-Powered Gearmotors

4AM Series, 60:1 reduction, 200 – 1650 lbs. in. (25 – 185 Nm) torque at 5 rpm (minimum speed reduction)



## MODEL

### 4AM-70C-CB60

(8 Vanes, Reversible)

Net wt. for standard configuration  
60 lbs. (27,0 kg)

## FEATURES

- 60:1 gear reducer
- Base mounting
- Optional mountings and shaft locations available
- Muffler AL445 (not shown)

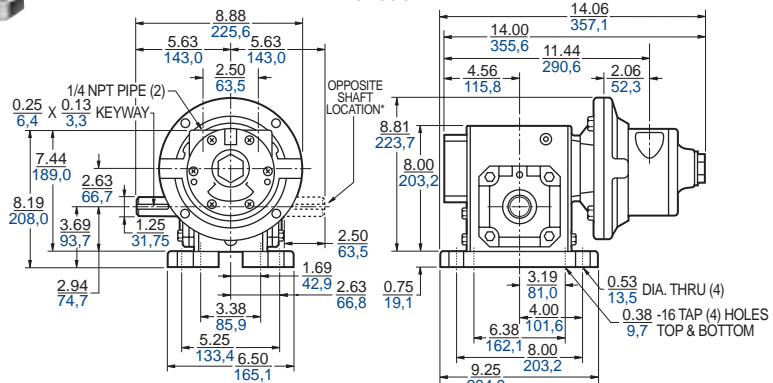
## RECOMMENDED

- Filter AH103F
- Regulator AH104R
- Gauge AA806
- Lubricator AH105L
- Oil AD220 – 1 quart (.94 litres)
- Repair kit K280A (Air motor only)

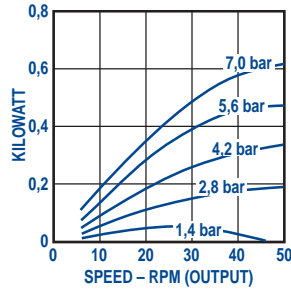
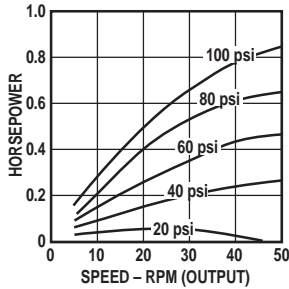


Max. allowable end thrust with 0 overhung load is  
3545 lbs. (1595,3 kg) at 10 rpm to 2134 lbs. (960,3 kg)  
at 50 rpm. Max. overhung load on output shaft with 0  
end thrust 1601 lbs. (720,5 kg).

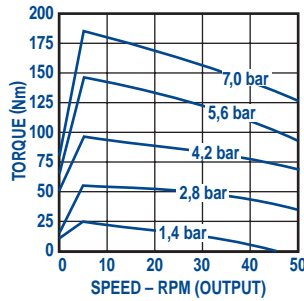
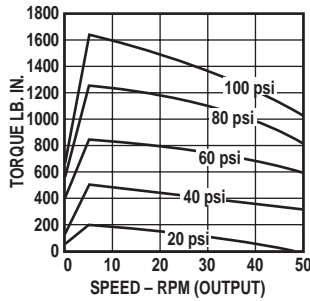
**"B" Mounting (photo)**  
4AM-70C-CB60 / \*4AM-70C-CF60  
(standard shaft) / (opposite shaft)



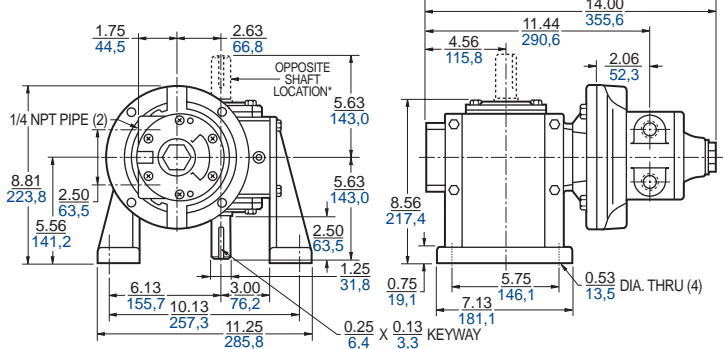
## Output Power vs. Speed



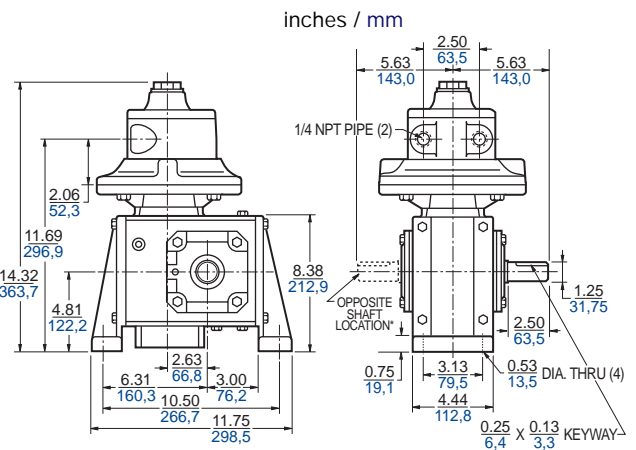
## Torque vs. Speed



**"C" Mounting**  
4AM-70C-CC60 / \*4AM-70C-CG60  
(standard shaft) / (opposite shaft)



**"D" Mounting**  
4AM-70C-CD60 / \*4AM-70C-CH60  
(standard shaft) / (opposite shaft)



## Air Consumption vs. Speed

