

# Air-Powered Gearmotors

6AM Series, 10:1 reduction, 100 – 950 lbs. in. (10 – 110 Nm) torque at 30 rpm (minimum speed reduction)



## MODEL

### 6AM-22A-CB10

(8 Vanes, Reversible)

Net wt. for standard configuration  
56 lbs. (25,2 kg)

## FEATURES

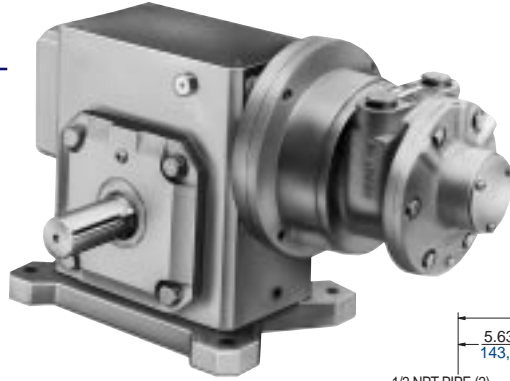
- 10:1 gear reducer
- Base mounting
- Optional mountings and shaft locations available
- Muffler AC990 (not shown)

## RECOMMENDED

- Filter AH106F
- Regulator AH107R
- Gauge AA806
- Lubricator AH108L
- Oil AD220 – 1 quart (.94 litres)
- Repair kit K281 (Air motor only)

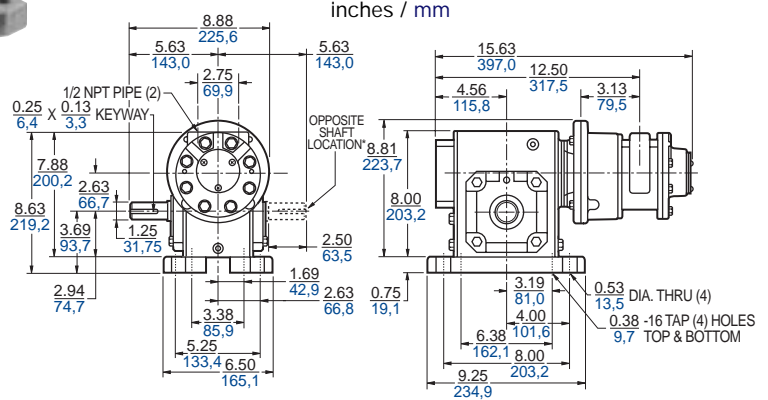
## OPTIONAL

- Muffler AL476 (for additional noise reduction)

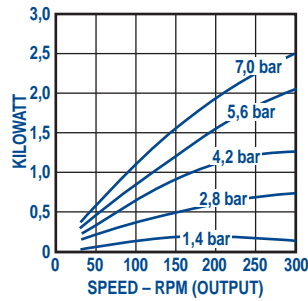
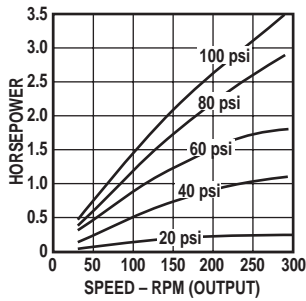


Max. allowable end thrust with 0 overhung load is 1640 lbs. (738,0 kg) at 60 rpm to 923 lbs. (415,4 kg) at 300 rpm. Max. overhung load on output shaft with 0 end thrust 1601 lbs. (720,5 kg).

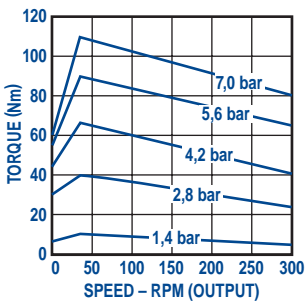
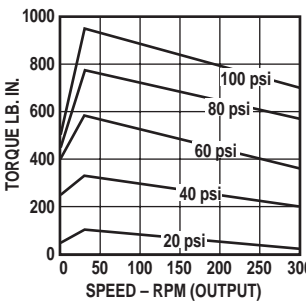
**"B" Mounting** (photo)  
6AM-22A-CB10 / \*6AM-22A-CF10  
(standard shaft) / (opposite shaft)



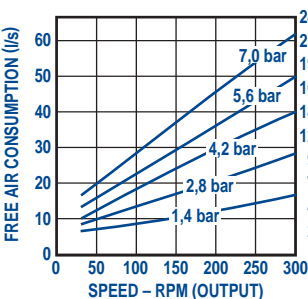
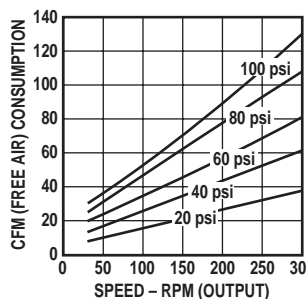
## Output Power vs. Speed



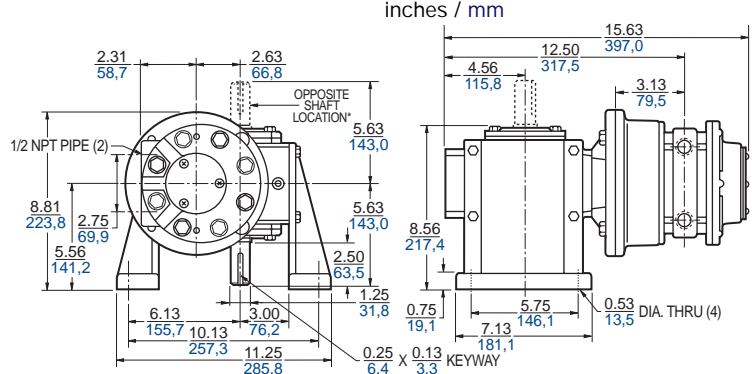
## Torque vs. Speed



## Air Consumption vs. Speed



**"C" Mounting**  
6AM-22A-CC10 / \*6AM-22A-CG10  
(standard shaft) / (opposite shaft)



**"D" Mounting**  
6AM-22A-CD10 / \*6AM-22A-CH10  
(standard shaft) / (opposite shaft)

