



Non-lubricated Air Motors

up to .82 hp, speeds from 500 to 2,000 rpm, maximum pressure 80 psi (5,6 bar)



MODEL

NL42-NCC-1

(4 Vanes, CCW Rotation)

NL42-NCW-2

(4 Vanes, CW Rotation)

Net wt. 18 lbs. (8,2 kg)

NL42-NCC-5

Vanes, CCW Rotation)

NL42-NCW-6

(4 Vanes, CW Rotation)

NL42-NCC-7

(4 Vanes, CCW Rotation)

NL42-NCW-8

(4 Vanes, CW Rotation)

Net wt. 21 lbs. (9,5 kg)



FEATURES

- Hub or foot mounting
- Treated body, rotor, and end plates for corrosion resistance
- No lubrication necessary - no contaminated air in the work area
- Any plane operation
- Plastic muffler AL445 offers enhanced sound reduction and will add approx. 5" height to the porting when installed

RECOMMENDED

- Filter AH103F
- Regulator AH104R
- Gauge AA806
- Repair kit K580

- Hub mounting model shown with optional foot assembly kit which can be purchased separately.

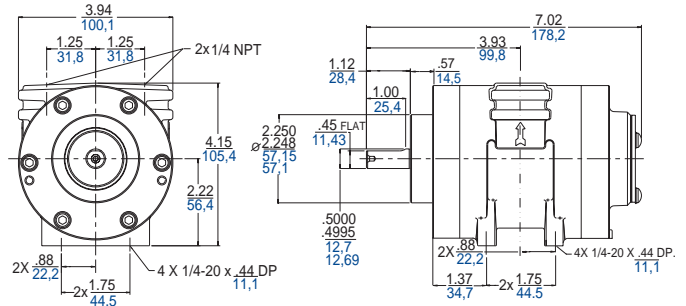
- Flange style is shown in schematic

OPTIONAL

- Metal muffler AC980 (shipped unattached) and will add approx. 2" height when installed
- Foot kit AL414 - each of these models can be turned into foot mounted styles with the installation of optional foot kit AL414, which will add approx. 2" height to the air motor

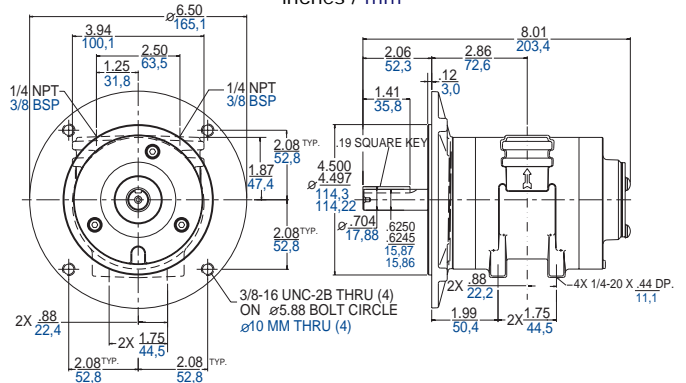
Hub mounting (NL42-NCC-1, NL42-NCW-2)

inches / mm

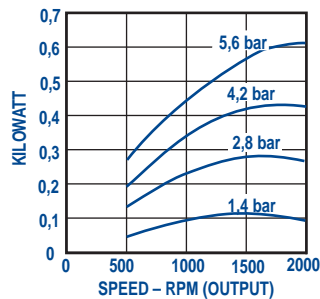
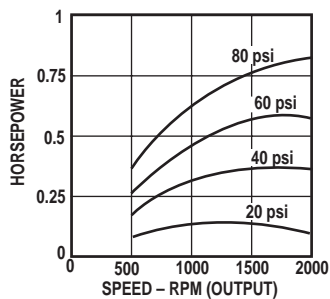


NEMA 56C, U.S. - (NL42-NCC-5, NL42-NCW-6) D71 Flange, Metric - (NL42-NCC-7, NL42-NCW-8)

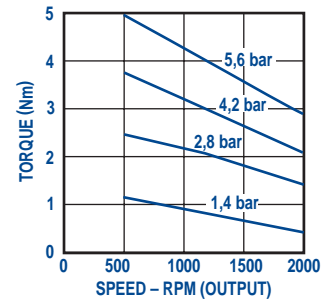
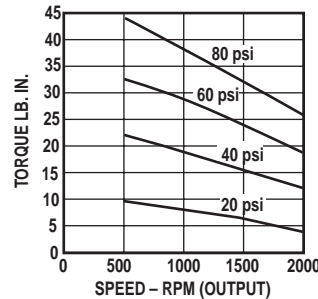
inches / mm



Output Power vs. Speed



Torque vs. Speed



Air Consumption vs. Speed

