

Non-lubricated Air Motors

up to 2.5 hp, speeds from 500 to 2,000 rpm, maximum pressure 80 psi (5,6 bar)

MODEL

NL52-NCC-1

(4 Vanes, CCW Rotation)

NL52-NCW-2

(4 Vanes, CW Rotation)

Net wt. 13 lbs. (6 kg)

NL52-NCC-3

(4 Vanes, CCW Rotation)

NL52-NCW-4

(4 Vanes, CW Rotation)

NL52-NCC-5

(4 Vanes, CCW Rotation)

NL52-NCW-6

(4 Vanes, CW Rotation)

Net wt. 14.5 lbs. (6,6 kg)

FEATURES

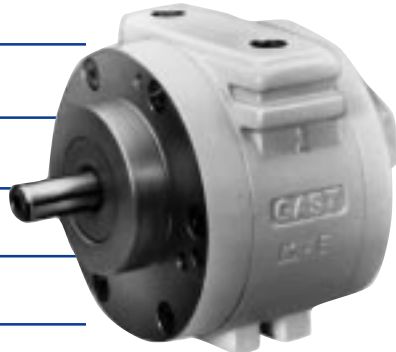
- Hub, NEMA 56C, 6AM, or foot mounting
- Treated body, rotor, and end plates for corrosion resistance
- No lubrication necessary - no contaminated air in the work area
- Any plane operation
- Muffler AC990

RECOMMENDED

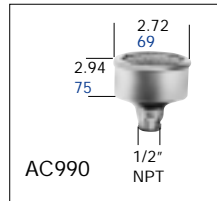
- Filter AH106F
- Regulator AH107R
- Gauge AA806
- Repair kit K833

OPTIONAL

- Foot kit AL414 - each of these models can be turned into foot mounted styles with the installation of optional foot kit AL414, which will add approx. 2" height to the air motor

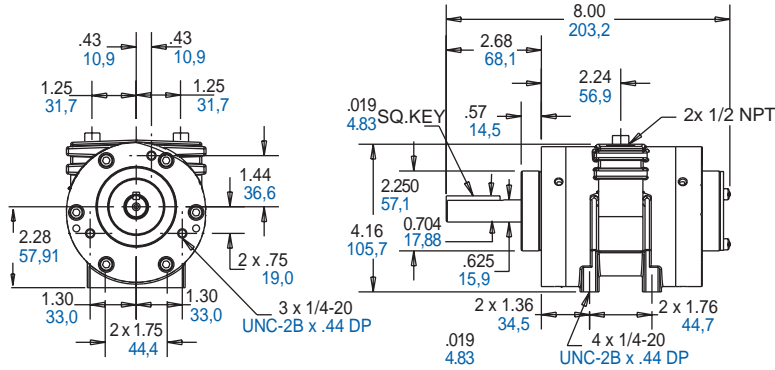


• Hub mounting model shown with optional foot assembly kit which can be purchased separately.



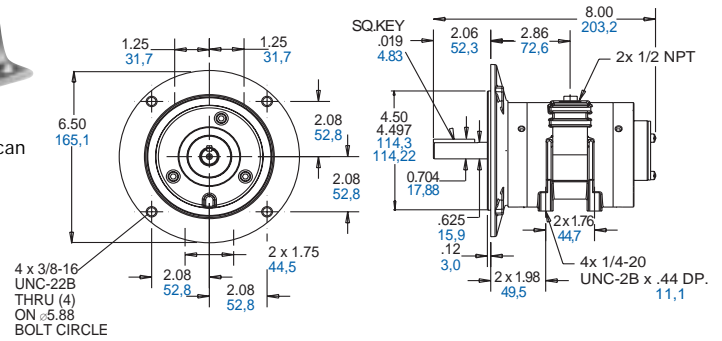
Hub mounting (NL52-NCC-1, NL52-NCW-2)

inches / mm



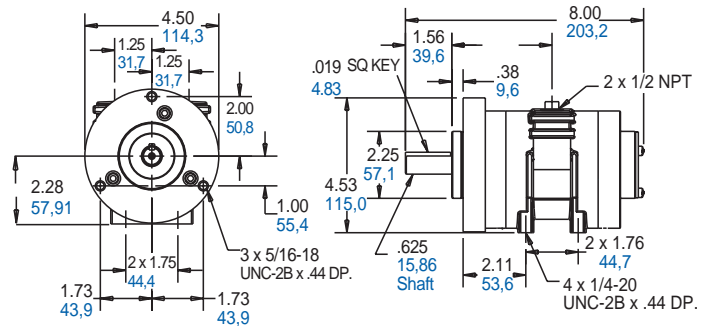
NEMA 56C, U.S. - (NL52-NCC-3, NL52-NCW-4)

inches / mm

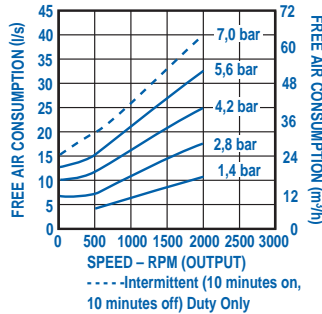
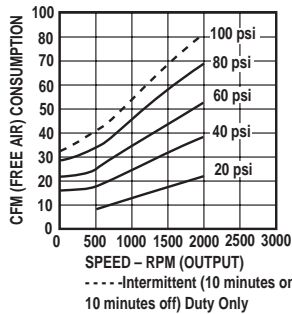


6AM Hub Mounting (NL52-NCC-5, NL52-NCW-6) Mounting identical to 6AM-NRW-7A for field replacement

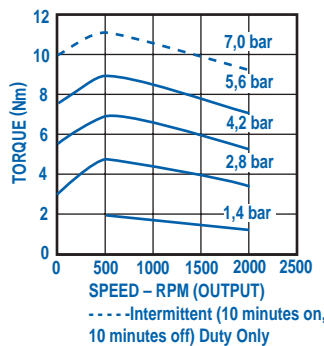
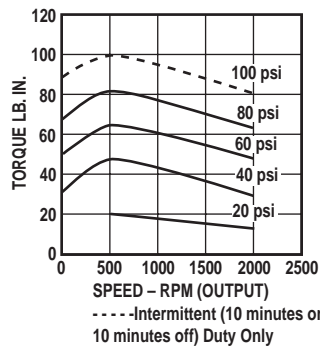
inches / mm



Air Consumption vs. Speed



Torque vs. Speed



Output Power vs. Speed

