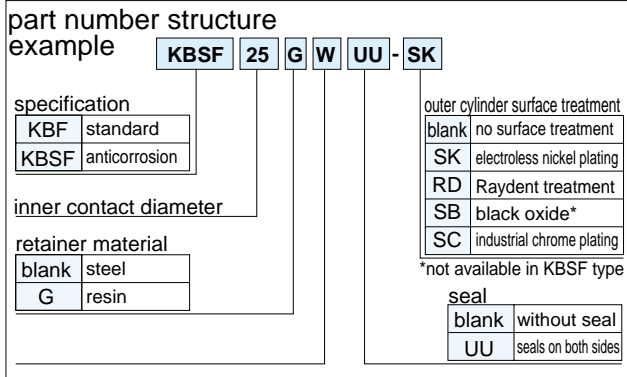
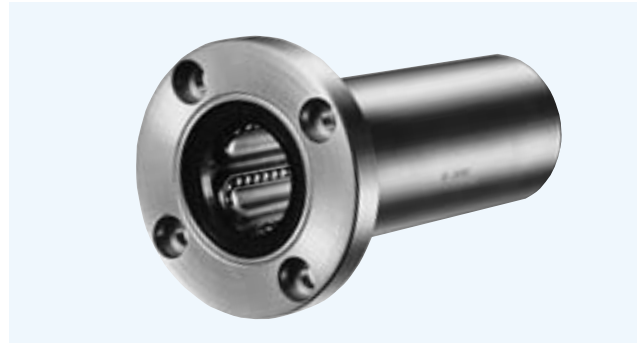


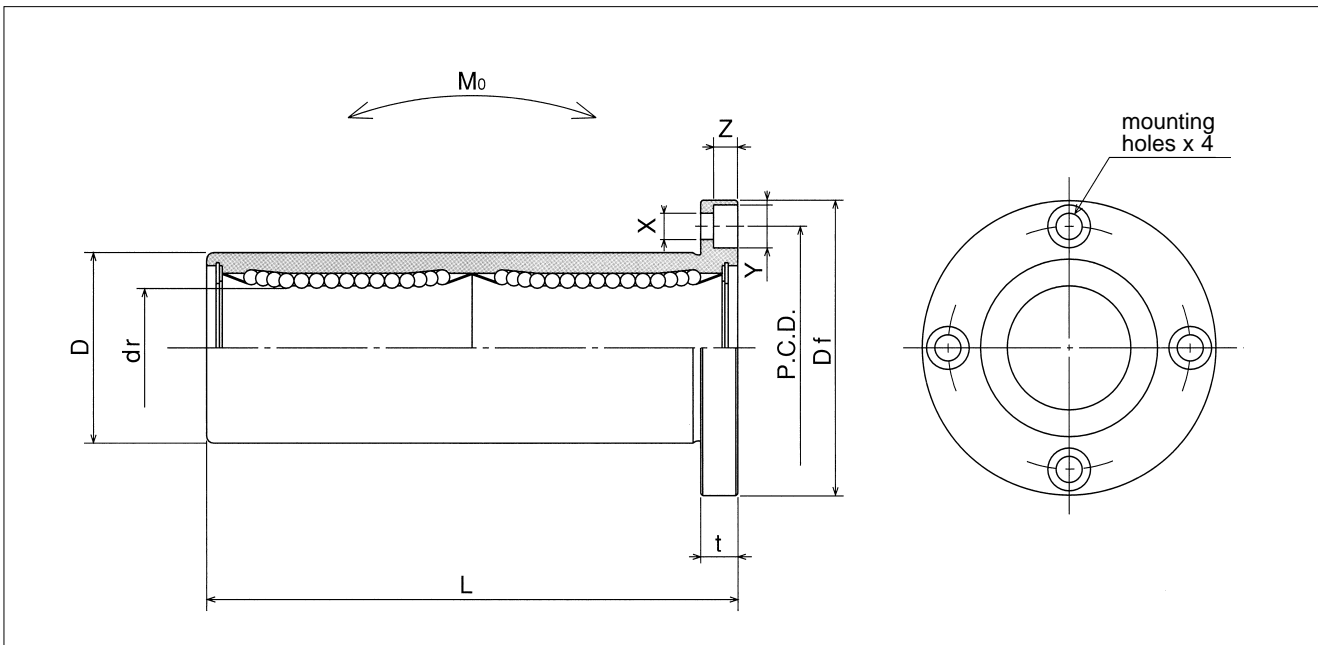
KBF-W TYPE

— Round Flange Double-Wide Type —

This type is a metric dimension series generally used in Europe.



part number				dr		D		L
standard		anticorrosion		mm	tolerance	mm	tolerance	±0.3 mm
steel retainer	resin retainer	stainless retainer	resin retainer		μm		μm	
KBF 8W	KBF 8GW	KBSF 8W	KBSF 8GW	8	+ 9	16	0/-13	46
KBF12W	KBF12GW	KBSF12W	KBSF12GW	12	- 1	22	0	61
KBF16W	KBF16GW	KBSF16W	KBSF16GW	16	+11	26	-16	68
KBF20W	KBF20GW	KBSF20W	KBSF20GW	20	- 1	32	0	80
KBF25W	KBF25GW	KBSF25W	KBSF25GW	25	+13	40	-19	112
KBF30W	KBF30GW	KBSF30W	KBSF30GW	30	- 2	47	0	123
KBF40W	KBF40GW	KBSF40W	KBSF40GW	40	+16	62	0	151
KBF50W	KBF50GW	KBSF50W	KBSF50GW	50	- 4	75	-22	192
KBF60W	KBF60GW	KBSF60W	KBSF60GW	60		90	0/-25	209



major dimensions				eccentricity	perpendicularity	basic load rating		allowable static moment	mass	shaft diameter
flange						dynamic	static			
Df	t	P.C.D.	X×Y×Z	μm	μm	C	Co	Mo	g	mm
mm	mm	mm	mm			N	N	N·m		
32	5	24	3.5×6×3.1	15	15	421	804	4.3	59	8
42	6	32	4.5×7.5×4.1			813	1,570	11.7	110	12
46	6	36	4.5×7.5×4.1			921	1,780	14.2	160	16
54	8	43	5.5×9×5.1	17	17	1,370	2,740	25.0	260	20
62	8	51	5.5×9×5.1			1,570	3,140	44.0	540	25
76	10	62	6.6×11×6.1			2,500	5,490	78.9	815	30
98	13	80	9×14×8.1	20	20	3,430	8,040	147	1,805	40
112	13	94	9×14×8.1			6,080	15,900	396	2,820	50
134	18	112	11×17×11.1			7,550	20,000	487	4,920	60

1N≐0.102kgf 1N·m≐0.102kgf·m