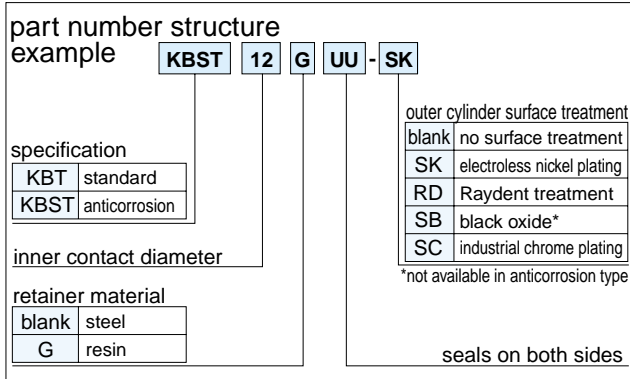


KBT TYPE

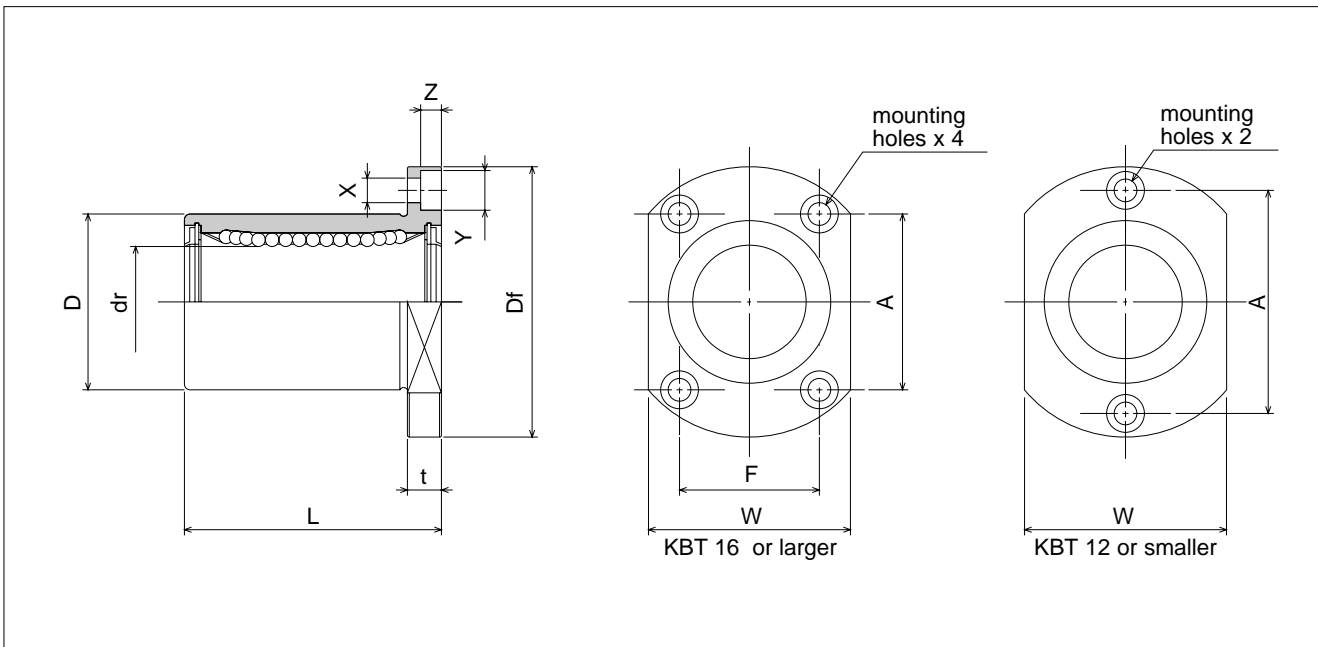
– Two Side Cut Flange Type –

KBT type is a metric dimension series generally used in Europe.



| part number** | | | | number of ball circuits | dr mm | tolerance μm | D | | L ±0.3 mm |
|-----------------|------------------|--------------------|-------------------|-------------------------|----------|-----------------|----|-----------------|-----------------|
| standard | | anticorrosion | | | | | mm | tolerance μm | |
| steel retainer | resin retainer | stainless retainer | resin retainer | | | | | | |
| KBT 5UU | KBT 5GUU | KBST 5UU | KBST 5GUU | 4 | 5 | + 8 0 | 12 | 0 | 22 |
| KBT 8UU | KBT 8GUU | KBST 8UU | KBST 8GUU | 4 | 8 | | 16 | -13 | 25 |
| KBT 12UU | KBT 12GUU | KBST 12UU | KBST 12GUU | 4 | 12 | | 22 | 0 | 32 |
| KBT 16UU | KBT 16GUU | KBST 16UU | KBST 16GUU | 4 | 16 | + 9 - 1 | 26 | -16 | 36 |
| KBT 20UU | KBT 20GUU | KBST 20UU | KBST 20GUU | 5 | 20 | | 32 | | 0 -19 |
| KBT 25UU | KBT 25GUU | KBST 25UU | KBST 25GUU | 6 | 25 | 40 | 58 | | |
| KBT 30UU | KBT 30GUU | KBST 30UU | KBST 30GUU | 6 | 30 | - 1 | 47 | 68 | |

** UU type is standard feature.



| major dimensions | | | | | | eccentricity | perpen- dicularity | basic load rating | | mass | shaft diameter |
|------------------|----|----|----|----|-------------|--------------|-----------------------|-------------------|--------|------|-------------------|
| flange | | | | | | | | dynamic | static | | |
| Df | W | t | A | F | X×Y×Z | μm | μm | | | C | Co |
| 28 | 18 | 5 | 20 | - | 3.5×6×3.1 | 12 | 12 | 206 | 265 | 25 | 5 |
| 32 | 22 | 5 | 24 | - | 3.5×6×3.1 | | | 265 | 402 | 37 | 8 |
| 42 | 28 | 6 | 32 | - | 4.5×7.5×4.1 | | | 510 | 784 | 73 | 12 |
| 46 | 32 | 6 | 28 | 22 | 4.5×7.5×4.1 | | | 578 | 892 | 90 | 16 |
| 54 | 38 | 8 | 36 | 24 | 5.5×9×5.1 | 15 | 15 | 862 | 1,370 | 155 | 20 |
| 62 | 46 | 8 | 40 | 32 | 5.5×9×5.1 | | | 980 | 1,570 | 297 | 25 |
| 76 | 53 | 10 | 48 | 38 | 6.6×11×6.1 | | | 1,570 | 2,740 | 471 | 30 |

1N≒0.102kgf