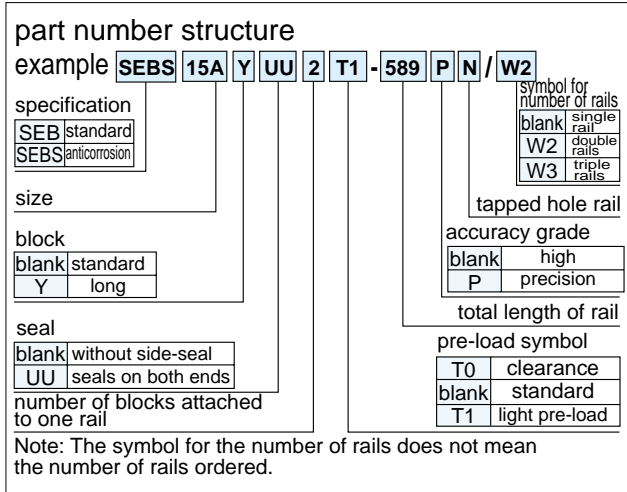
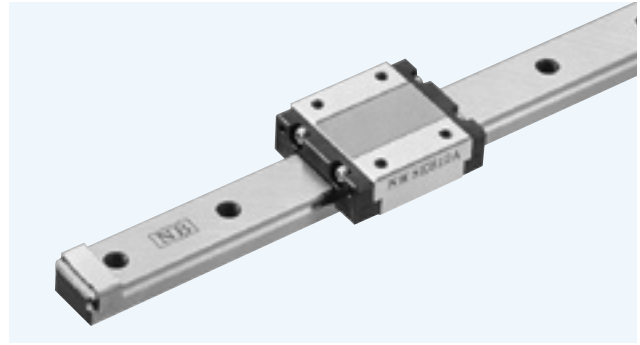


SEB-A-N/AY-N TYPE

— Standard Type w/Tapped Hole Rail —



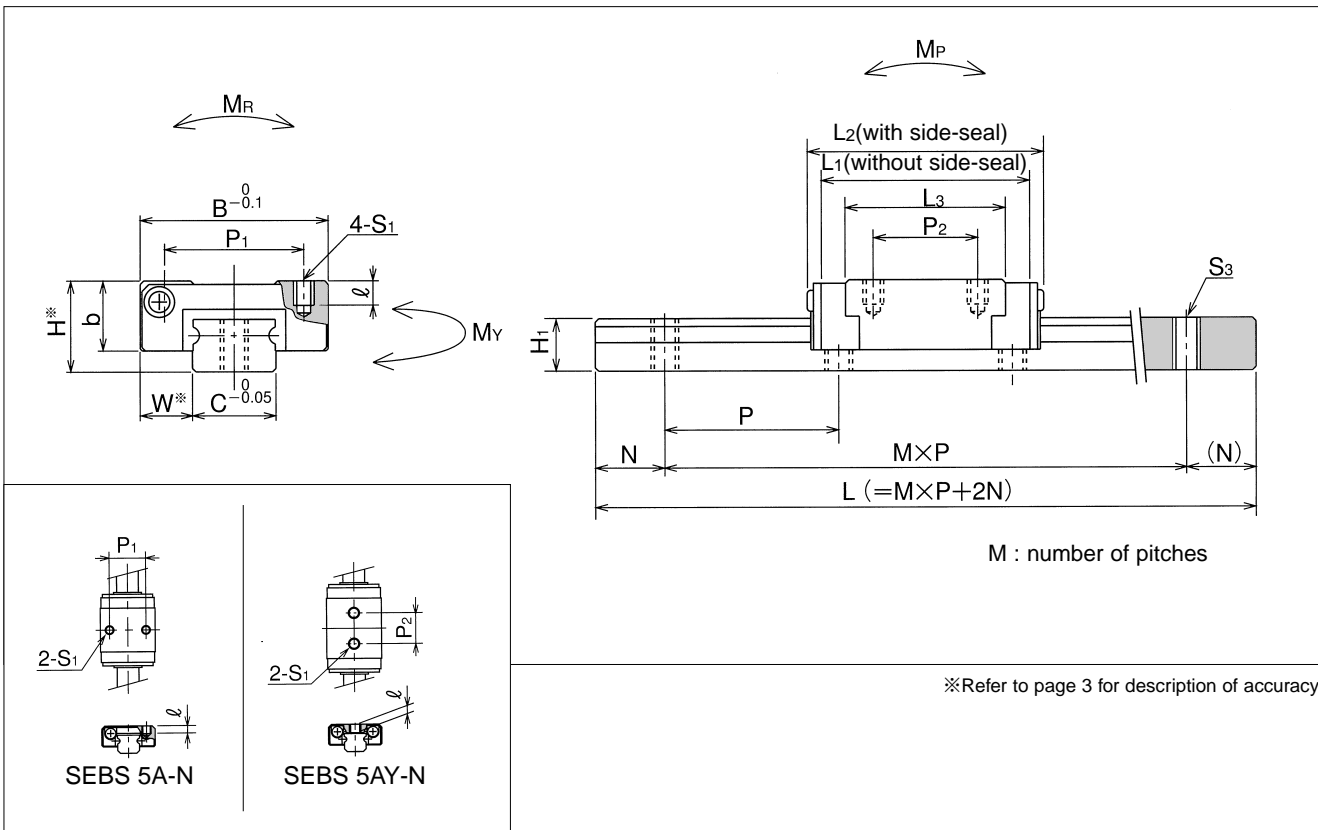
part number		assembly dimensions		block dimensions								
		H	W	B	L ₁	L ₂	P ₁	P ₂	S ₁	ℓ	L ₃	b
standard	anticorrosion	mm	mm	mm	mm	mm	mm	mm		mm	mm	mm
—	SEBS 5A-N	6	3.5	12	15.6	17	8	—	M2	1.5	9.8	4.5
	SEBS 5AY-N				19.2	20.6		7			M2.6	
—	SEBS 7A-N	8	5	17	21.9	24	12	8	M2	2.5	15.1	6.5
	SEBS 7AY-N				31	33		13			24.6	
SEB 9A-N	SEBS 9A-N	10	5.5	20	28.1	30	15	10	M3	3	20.4	7.8
SEB 9AY-N	SEBS 9AY-N				38.1	40		16			30.4	
SEB12A-N	SEBS12A-N	13	7.5	27	30	33.5	20	15	M3	3.5	23	10
SEB12AY-N	SEBS12AY-N				42	45.5		20			34.7	
SEB15A-N	SEBS15A-N	16	8.5	32	38.5	42	25	20	M3	4	29.5	12
SEB15AY-N	SEBS15AY-N				54.5	58		25			45.4	
SEB20A-N	SEBS20A-N	25	13	46	55.7	61	38	38	M4	6	45.7	17.5
SEB20AY-N	SEBS20AY-N				79.5	85		38			69.5	

rail size	standard rail length											
	L											
	mm											
5	40	55	70	85	100	130	160					
7	40	55	70	85	100	130	160	190	220	250	280	310
9	55	75	95	115	135	155	175	195	235	275	315	355
12	70	95	120	145	170	195	220	245	270	295	320	345
15	70	110	150	190	230	270	310	350	390	430	470	510
20	220	280	340	400	460	520	580	640	760	880	1,000	

With custom length rails, kindly advise distance (N) from one end of rail to first hole.

Unless we are advised (N) distance by customer, we assume distance (N) to be as state in Page4.

Joint rails are used when the required length exceeds the maximum standard length listed in the dimensional tables. Contact NB for details.



guide-rail dimensions					basic load rating		allowable static moment			mass		size
H ₁	C	S ₃	N	P	dynamic	static	M _P N · m	M _Y N · m	M _R N · m	block kg	guide rail kg/m	
mm	mm		mm	mm	C kN	Co kN						
4	5	M2.6	5	15	0.43	0.72	1.2	1.5	1.9	0.003	0.13	5A
					0.59	0.99	2.2	2.8	2.6	0.004		5AY
4.7	7	M3	5	15	1.08	1.67	4.1	4.9	5.2	0.01	0.19	7A
					1.89	2.92	12.0	14.3	9.1	0.015		7AY
5.5	9	M4	7.5	20	1.67	2.45	6.9	7.8	11.8	0.02	0.31	9A
					2.55	3.82	16.7	19.6	17.6	0.03		9AY
7.5	12	M4	10	25	2.16	3.14	8.8	10.8	18.6	0.04	0.61	12A
					3.53	5.10	24.5	29.4	32.3	0.06		12AY
9.5	15	M5	15	40	3.63	5.39	21.6	25.5	40.2	0.06	1.02	15A
					5.88	8.72	57.8	68.6	67.6	0.10		15AY
15	20	M6	20	60	6.86	9.80	51.0	60.8	98.0	0.23	2.14	20A
					11.0	15.7	157	186	157	0.34		20AY

						maximum length	
						standard	anticorrosion
						—	300
						—	700
395	435	475				500	1,000
370	395	420	445	470	495		
550	590	630	670				1,900

1kN ≒ 102kgf 1N · m ≒ 0.102kgf · m