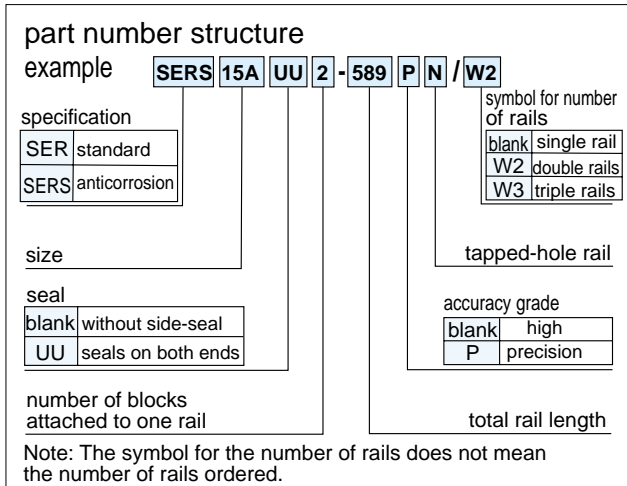
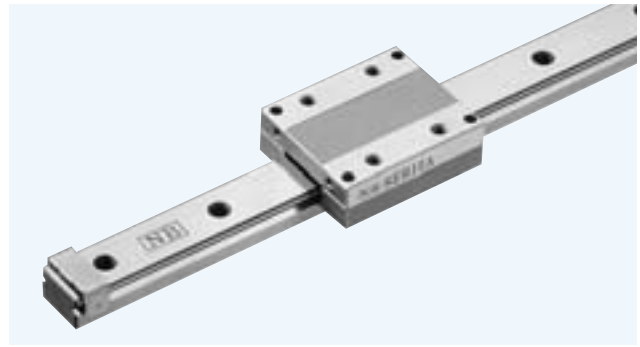


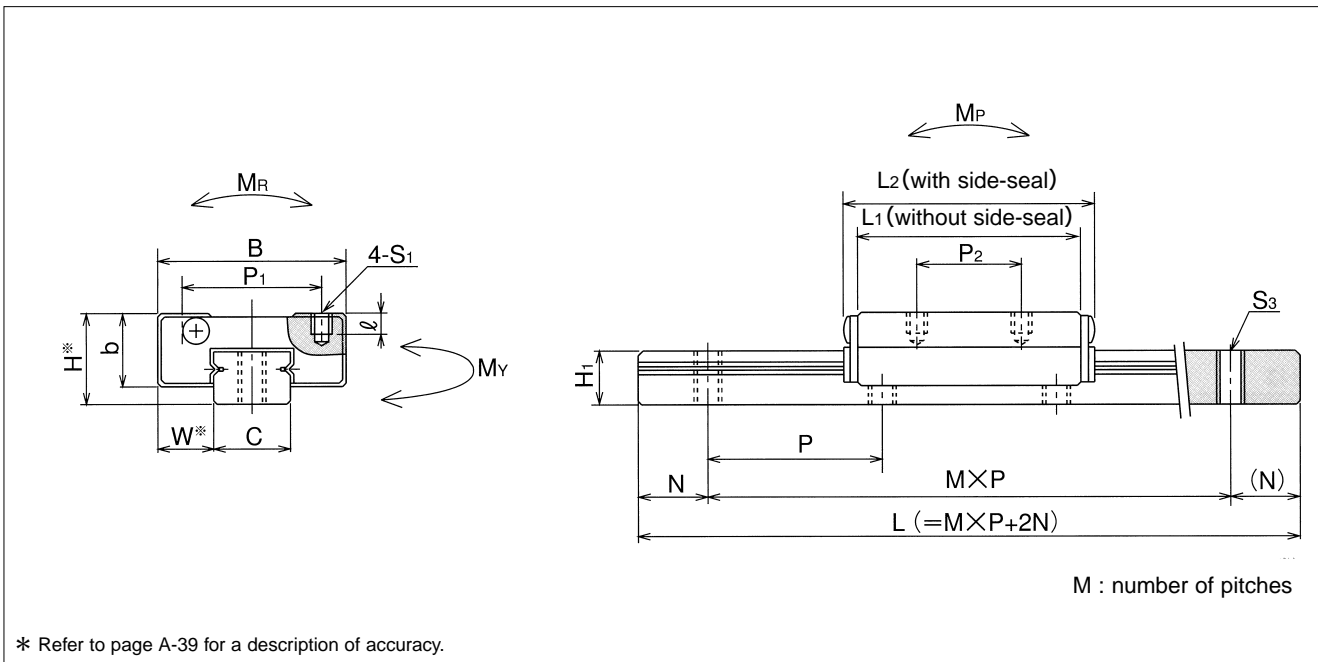
SER-A-N TYPE

— Standard Type w/Tapped Hole Rail —



part number		assembly dimensions		block dimensions							
		H	W	B	L ₁	L ₂	P ₁	P ₂	S ₁	ℓ	b
standard	anticorrosion	mm	mm	mm	mm	mm	mm	mm		mm	mm
SER 9A-N	SERS 9A-N	10	5.7	20	28	32	15	13	M2	2.5	7.8
SER12A-N	SERS12A-N	13	8	27	32	36	20	15	M3	3	10.5
SER15A-N	SERS15A-N	16	8.5	32	40	44	25	20		4	11.5
SER20A-N	SERS20A-N	25	13	46	60	66	38	38	M4	6	17.5

part number		standard rail length							maximum length mm
		L mm							
standard	anticorrosion								
SER 9A-N	SERS 9A-N	55	75	95	115	155	195	275	275
SER12A-N	SERS12A-N	120	170	220	270	320	370	470	470
SER15A-N	SERS15A-N	150	230	310	430	550	670		670
SER20A-N	SERS20A-N	220	280	340	460	640	880		880



guide-rail dimensions					basic load rating		allowable static moment			mass		size
H ₁	C	S ₃	N	P	dynamic	static	M _P	M _V	M _R	block	guide rail	
mm	mm		mm	mm	kN	kN	N · m	N · m	N · m	kg	kg/m	
5.5	8.6	M4	7.5	20	2.65	2.94	11.8	13.7	19.6	0.02	0.35	9A
7.5	11		10	25	3.43	3.92	15.7	17.6	29.4	0.05	0.55	12A
9.5	15	M5	15	40	4.70	5.78	29.0	32.3	54.9	0.09	1.0	15A
15	20	M6	20	60	8.82	9.80	59.0	66.6	151	0.26	2.3	20A

1kN ≅ 102kgf 1N · m ≅ 0.102kgf · m