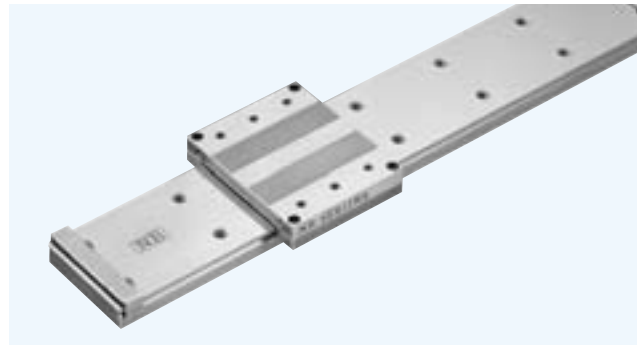


SER-WA-N TYPE

– Wide Type w/Tapped Hole Rail –



part number structure

example **SERS 15WA UU 2 - 589 P N / W2**

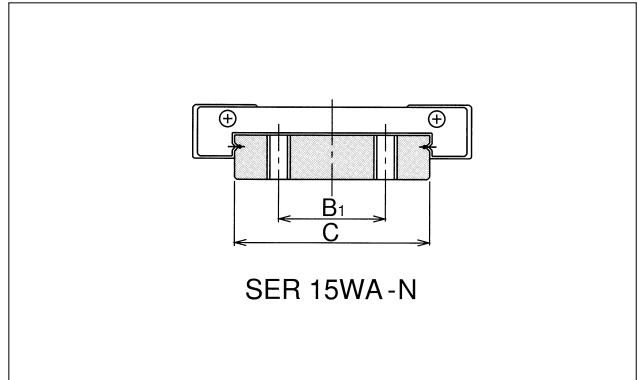
specification		size	symbol for number of rails	
SER	standard			blank
SERS	anticorrosion		W2	double rails
			W3	triple rails

seal		tapped-hole rail	
blank	without side-seal	blank	high
UU	seals on both ends	P	precision

number of blocks attached to one rail

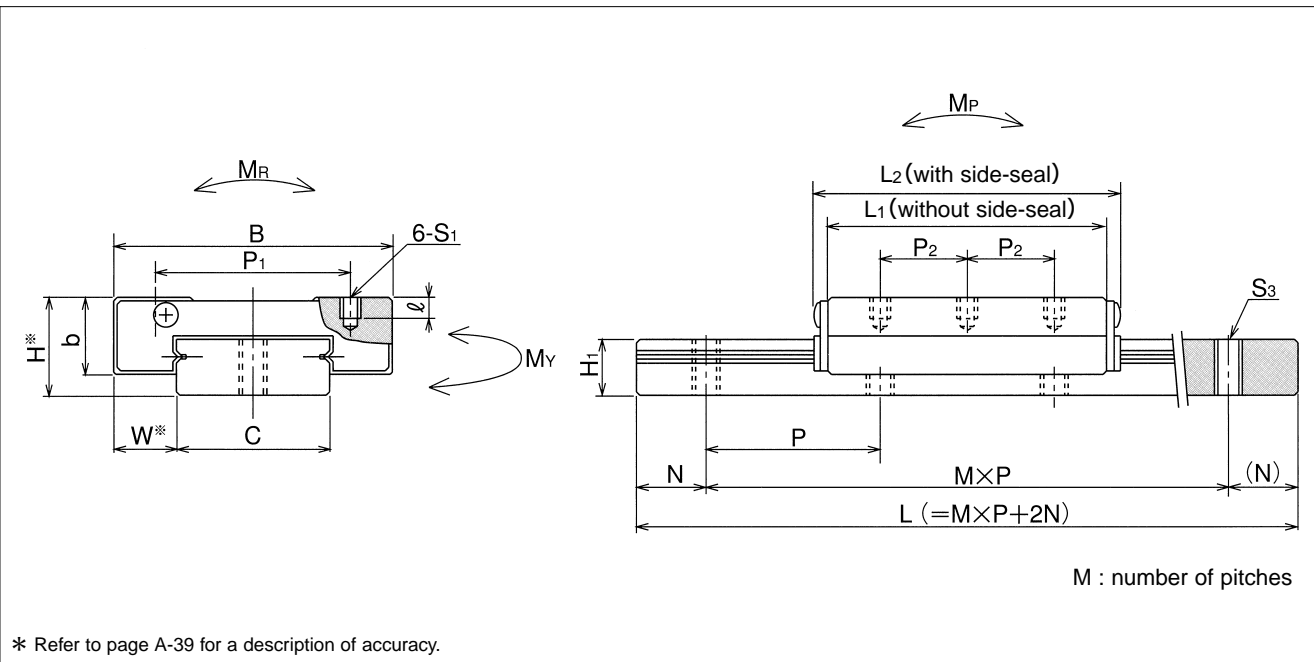
Note: The symbol for the number of rails does not mean the number of rails ordered.

total rail length



part number		assembly dimensions		block dimensions							
		H	W	B	L ₁	L ₂	P ₁	P ₂	S ₁	ℓ	b
standard	anticorrosion	mm	mm	mm	mm	mm	mm	mm		mm	mm
SER 9WA-N	SERS 9WA-N	12	6.5	30	35	39	21	10	M3	3	8.8
SER12WA-N	SERS12WA-N	14	9	40	40	44	28	12.5			11
SER15WA-N	SERS15WA-N	16		60	50	54	45	15	M4	4.5	11.5

part number		standard rail length							maximum length
		L							
standard	anticorrosion	mm							mm
SER 9WA-N	SERS 9WA-N	80	110	140	170	200	260	290	290
SER12WA-N	SERS12WA-N	110	150	190	230	310	390	470	470
SER15WA-N	SERS15WA-N	150	230	310	430	550	670		670



guide-rail dimensions						basic load rating		allowable static moment			mass		size
H ₁	C	B ₁	S ₃	N	P	dynamic	static	M _P	M _V	M _R	block	guide rail	
mm	mm	mm		mm	mm	kN	kN	N · m	N · m	N · m	kg	kg/m	
7.5	17	—	M4	10	30	3.43	3.72	24.5	27.4	51.9	0.06	0.90	9WA
8	22	—	M5	15	40	4.41	5.00	35.3	39.2	85.3	0.10	1.22	12WA
9.5	42	23				7.35	8.92	55.9	61.7	215	0.18	2.80	15WA

1kN ≒ 102kgf 1N · m ≒ 0.102kgf · m