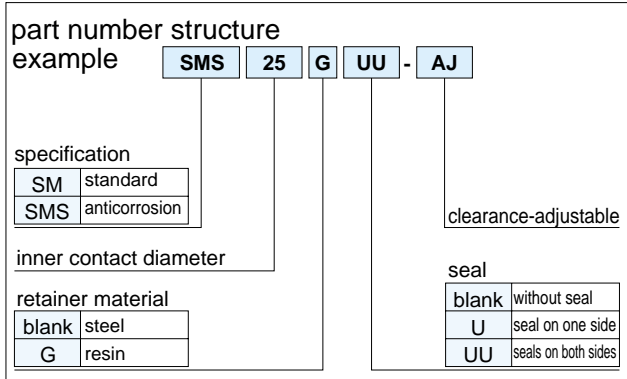


SM-AJ TYPE

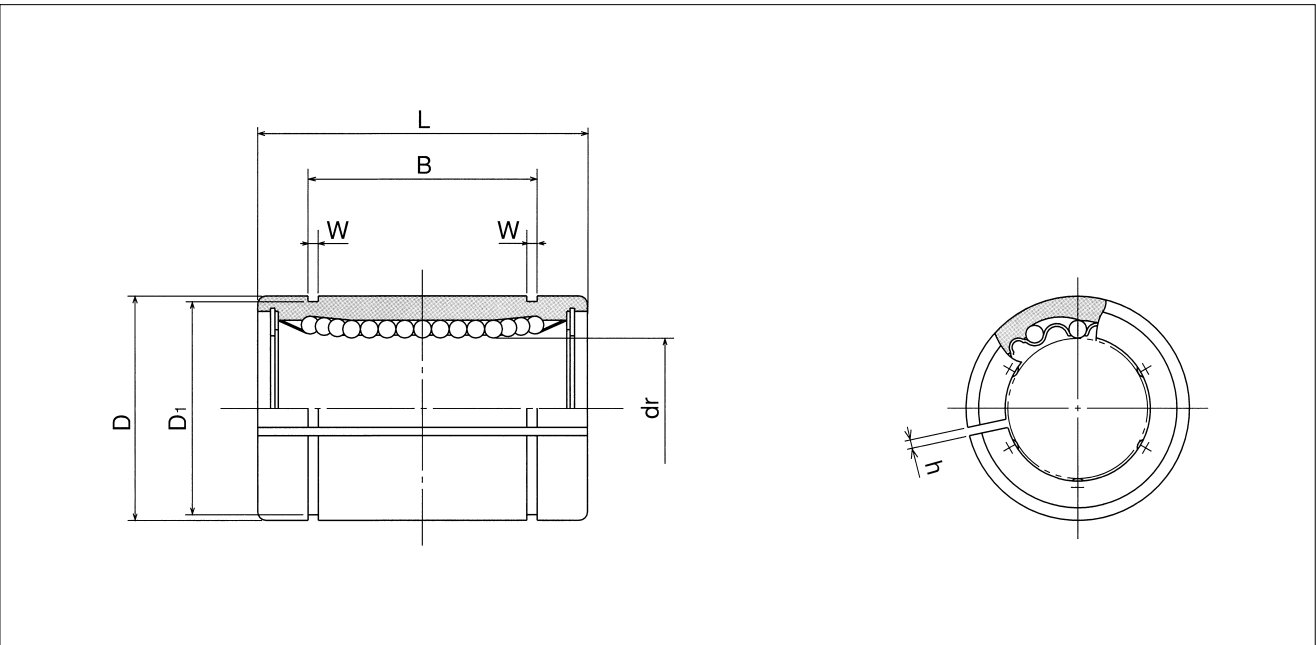
– Clearance-Adjustable Type –

This type is a metric dimension series widely used in Japan and other countries.



part number				number of ball circuits	dr		D	
standard		anticorrosion			mm	tolerance*	mm	tolerance*
steel retainer	resin retainer	stainless retainer	resin retainer			μm		μm
—	SM 6G-AJ	—	SMS 6G-AJ	4	6	0	12	0
—	SM8sG-AJ	—	SMS8sG-AJ	4	8		15	-11
—	SM 8G-AJ	—	SMS 8G-AJ	4	8		15	
—	SM10G-AJ	—	SMS10G-AJ	4	10		19	-13
SM 12-AJ	SM12G-AJ	SMS12-AJ	SMS12G-AJ	4	12	21		
SM 13-AJ	SM13G-AJ	SMS13-AJ	SMS13G-AJ	4	13	23		
SM 16-AJ	SM16G-AJ	SMS16-AJ	SMS16G-AJ	4	16	28		
SM 20-AJ	SM20G-AJ	SMS20-AJ	SMS20G-AJ	5	20	0	32	0
SM 25-AJ	SM25G-AJ	SMS25-AJ	SMS25G-AJ	6	25		40	-16
SM 30-AJ	SM30G-AJ	SMS30-AJ	SMS30G-AJ	6	30	45		
SM 35-AJ	SM35G-AJ	SMS35-AJ	SMS35G-AJ	6	35	0	52	0
SM 40-AJ	SM40G-AJ	SMS40-AJ	SMS40G-AJ	6	40		60	-19
SM 50-AJ	SM50G-AJ	SMS50-AJ	SMS50G-AJ	6	50	80		
SM 60-AJ	SM60G-AJ	SMS60-AJ	SMS60G-AJ	6	60	0	90	0
SM 80-AJ	SM80G-AJ	—	—	6	80	-15	120	-22
SM100-AJ	—	—	—	6	100	0	150	0
SM120-AJ	—	—	—	8	120	-20	180	-25
SM150-AJ	—	—	—	8	150	0/-25	210	0/-29

* Accuracy is measured prior to machining clearance slot.



major dimensions							eccentricity* μm	basic load rating		mass g	shaft diameter mm								
mm	tolerance	mm	tolerance	mm	mm	mm		dynamic	static										
	mm		mm					mm	C			Co							
19	0 -0.2	13.5	0 -0.2	1.1	11.5	1	12	206	265	7.5	6								
17		11.5		1.1	14.3	1		176	216			10	8						
24		17.5		1.1	14.3	1		274	392										
29		22		1.3	18	1		372	549					29	10				
30		23		1.3	20	1.5		510	784							41	12		
32		23		1.3	22	1.5		510	784									48	13
37		26.5		1.6	27	1.5		774	1,180					75	16				
42		30.5		1.6	30.5	1.5		882	1,370							98	20		
59	0 -0.3	41	0 -0.3	1.85	38	2	15	980	1,570	237	25								
64		44.5		1.85	43	2.5		1,570	2,740			262	30						
70		49.5		2.1	49	2.5		1,670	3,140					420	35				
80		60.5		2.1	57	3		2,160	4,020							640	40		
100		74		2.6	76.5	3		3,820	7,940									1,680	50
110		85		3.15	86.5	3		4,700	10,000										
140	0 -0.4	105.5	0 -0.4	4.15	116	3	25	7,350	16,000	4,400	80								
175		125.5		4.15	145	3		14,100	34,800			8,540	100						
200		158.6		4.15	175	3		16,400	40,000					14,900	120				
240		170.6		5.15	204	3		21,100	54,300							20,150	150		

1N≐0.102kgf