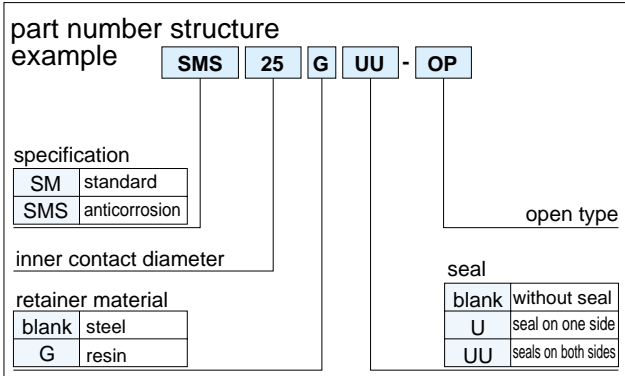
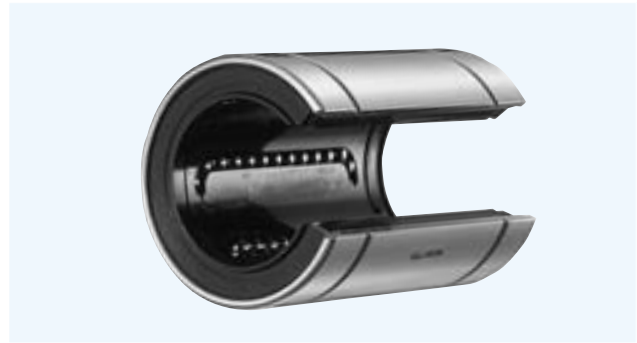


SM-OP TYPE

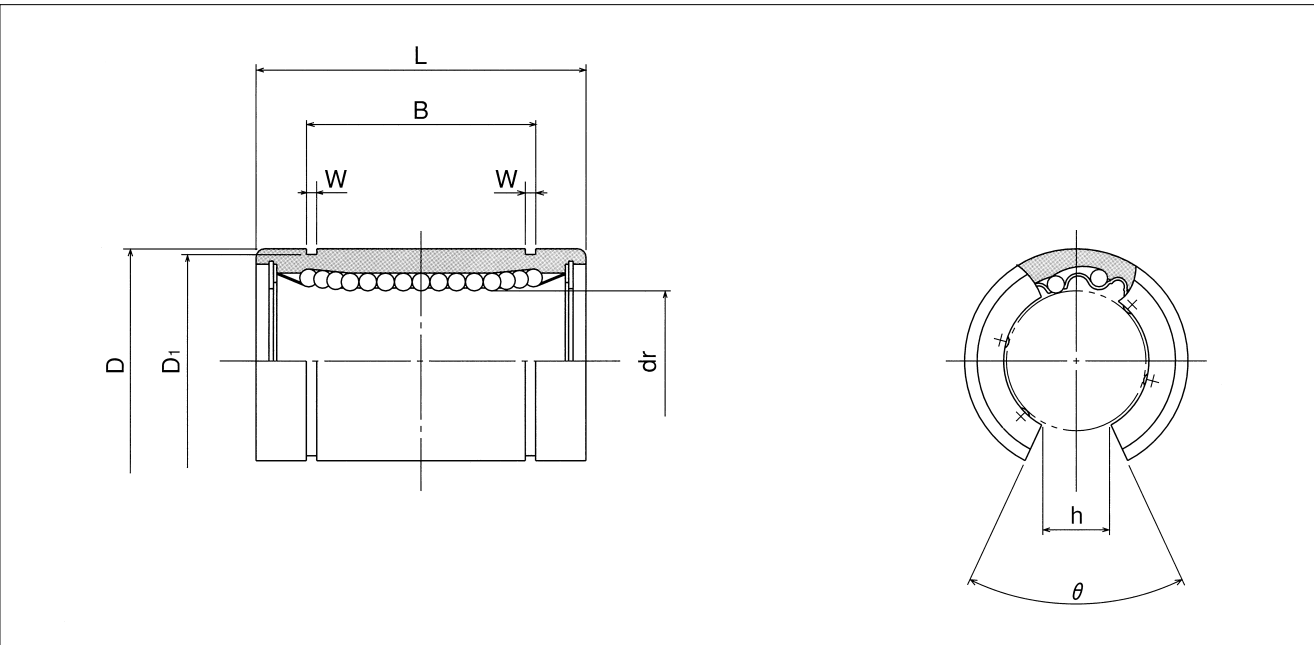
— Open Type —

This type is a metric dimension series widely used in Japan and other countries.



part number				number of ball circuits	D			
standard		anticorrosion			dr		D	
steel retainer	resin retainer	stainless retainer	resin retainer		mm	tolerance* μm	mm	tolerance* μm
—	SM10G-OP	—	SMS10G-OP	3	10		19	
SM 12-OP	SM12G-OP	SMS12-OP	SMS12G-OP	3	12	0	21	0
SM 13-OP	SM13G-OP	SMS13-OP	SMS13G-OP	3	13	- 9	23	- 13
SM 16-OP	SM16G-OP	SMS16-OP	SMS16G-OP	3	16		28	
SM 20-OP	SM20G-OP	SMS20-OP	SMS20G-OP	4	20	0	32	0
SM 25-OP	SM25G-OP	SMS25-OP	SMS25G-OP	5	25	- 10	40	- 16
SM 30-OP	SM30G-OP	SMS30-OP	SMS30G-OP	5	30		45	
SM 35-OP	SM35G-OP	SMS35-OP	SMS35G-OP	5	35	0	52	0
SM 40-OP	SM40G-OP	SMS40-OP	SMS40G-OP	5	40	- 12	60	- 19
SM 50-OP	SM50G-OP	SMS50-OP	SMS50G-OP	5	50		80	
SM 60-OP	SM60G-OP	SMS60-OP	SMS60G-OP	5	60	0	90	0
SM 80-OP	SM80G-OP	—	—	5	80	- 15	120	- 22
SM100-OP	—	—	—	5	100	0	150	0
SM120-OP	—	—	—	6	120	- 20	180	- 25
SM150-OP	—	—	—	6	150	0/- 25	210	0/- 29

* Accuracy is measured prior to machining open slot.



major dimensions								eccentricity* μm	basic load rating		mass g	shaft diameter mm
mm	L	B		W mm	D_1 mm	h mm	θ		dynamic	static		
	tolerance mm	mm	tolerance mm						C N	C_0 N		
29	0 -0.2	22	0 -0.2	1.3	18	6.8	80°	12	372	549	23	10
30		23		1.3	20	8	80°		510	784	32	12
32		23		1.3	22	9	80°		510	784	37	13
37		26.5		1.6	27	11	80°		774	1,180	58	16
42		30.5		1.6	30.5	11	60°		882	1,370	79	20
59	0 -0.3	41	0 -0.3	1.85	38	12	50°	15	980	1,570	203	25
64		44.5		1.85	43	15	50°		1,570	2,740	228	30
70		49.5		2.1	49	17	50°		1,670	3,140	355	35
80		60.5		2.1	57	20	50°		2,160	4,020	546	40
100		74		2.6	76.5	25	50°		3,820	7,940	1,420	50
110	0 -0.4	85	0 -0.4	3.15	86.5	30	50°	25	4,700	10,000	1,650	60
140		105.5		4.15	116	40	50°		7,350	16,000	3,750	80
175		125.5		4.15	145	50	50°		14,100	34,800	7,200	100
200		158.6		4.15	175	85	80°		16,400	40,000	11,600	120
240		170.6		5.15	204	105	80°		21,100	54,300	15,700	150

1N \approx 0.102kgf