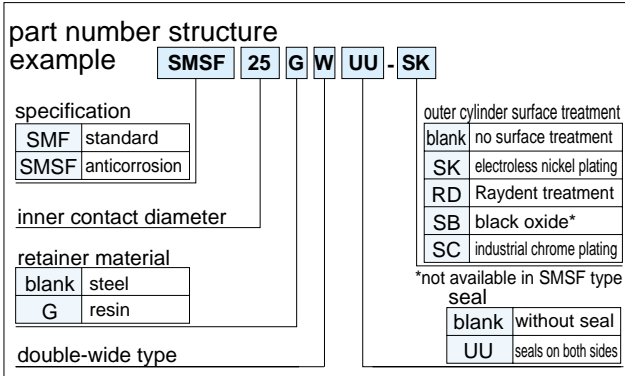
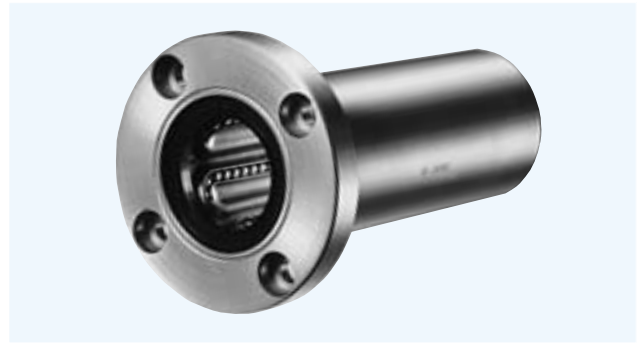


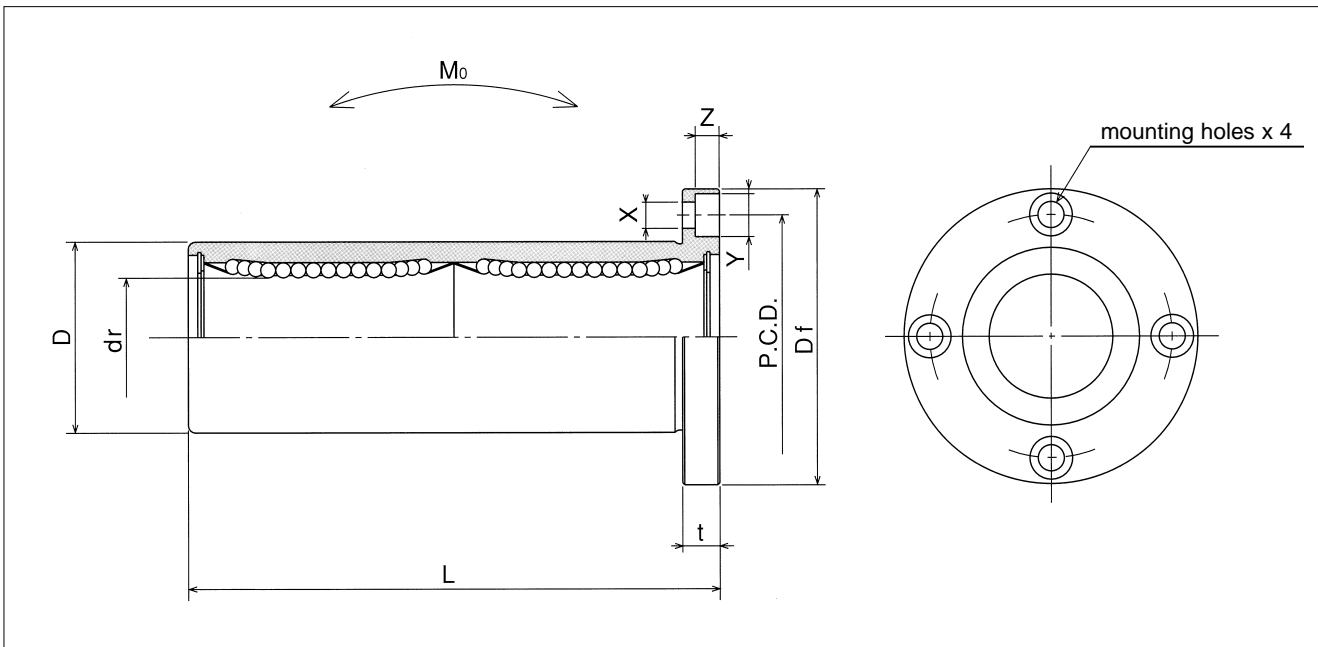
SMF-W TYPE

— Round Flange Double-Wide Type —

This type is a metric dimension series widely used in Japan and other countries.



part number				dr		D		L
standard		anticorrosion		mm	tolerance μm	mm	tolerance μm	±0.3 mm
steel retainer	resin retainer	stainless retainer	resin retainer					
SMF 6W	SMF 6GW	SMSF 6W	SMSF 6GW	6	0	12	0	35
SMF 8W	SMF 8GW	SMSF 8W	SMSF 8GW	8		15	-13	45
SMF10W	SMF10GW	SMSF10W	SMSF10GW	10		19	0	55
SMF12W	SMF12GW	SMSF12W	SMSF12GW	12		21		61
SMF13W	SMF13GW	SMSF13W	SMSF13GW	13	-10	23	-16	70
SMF16W	SMF16GW	SMSF16W	SMSF16GW	16		28	80	
SMF20W	SMF20GW	SMSF20W	SMSF20GW	20	0	32	0	112
SMF25W	SMF25GW	SMSF25W	SMSF25GW	25	-12	40	-19	123
SMF30W	SMF30GW	SMSF30W	SMSF30GW	30		45		135
SMF35W	SMF35GW	SMSF35W	SMSF35GW	35	0	52	0	151
SMF40W	SMF40GW	SMSF40W	SMSF40GW	40	-15	60	-22	192
SMF50W	SMF50GW	SMSF50W	SMSF50GW	50		80		209
SMF60W	SMF60GW	SMSF60W	SMSF60GW	60	0/-20	90	0/-25	



major dimensions				eccentricity	perpendicularity	basic load rating		allowable static moment	mass	shaft diameter
flange						dynamic	static			
Df mm	t mm	P.C.D. mm	X×Y×Z mm	μm	μm	C N	Co N	Mo N·m	g	mm
28	5	20	3.5×6×3.1	15	15	323	530	2.18	31	6
32	5	24	3.5×6×3.1			431	784	4.31	51	8
40	6	29	4.5×7.5×4.1			588	1,100	7.24	98	10
42	6	32	4.5×7.5×4.1			813	1,570	10.9	110	12
43	6	33	4.5×7.5×4.1			813	1,570	11.6	130	13
48	6	38	4.5×7.5×4.1			1,230	2,350	19.7	190	16
54	8	43	5.5×9×5.1	20	20	1,400	2,740	26.8	260	20
62	8	51	5.5×9×5.1			1,560	3,140	43.4	540	25
74	10	60	6.6×11×6.1			2,490	5,490	82.8	680	30
82	10	67	6.6×11×6.1	25	25	2,650	6,270	110	1,020	35
96	13	78	9×14×8.1			3,430	8,040	147	1,570	40
116	13	98	9×14×8.1			6,080	15,900	397	3,600	50
134	18	112	11×17×11.1	30	30	7,550	20,000	530	4,500	60

1N ≅ 0.102kgf 1N·m ≅ 0.102kgf·m