

SMK-E TYPE

– Square Flange Type with Pilot End –

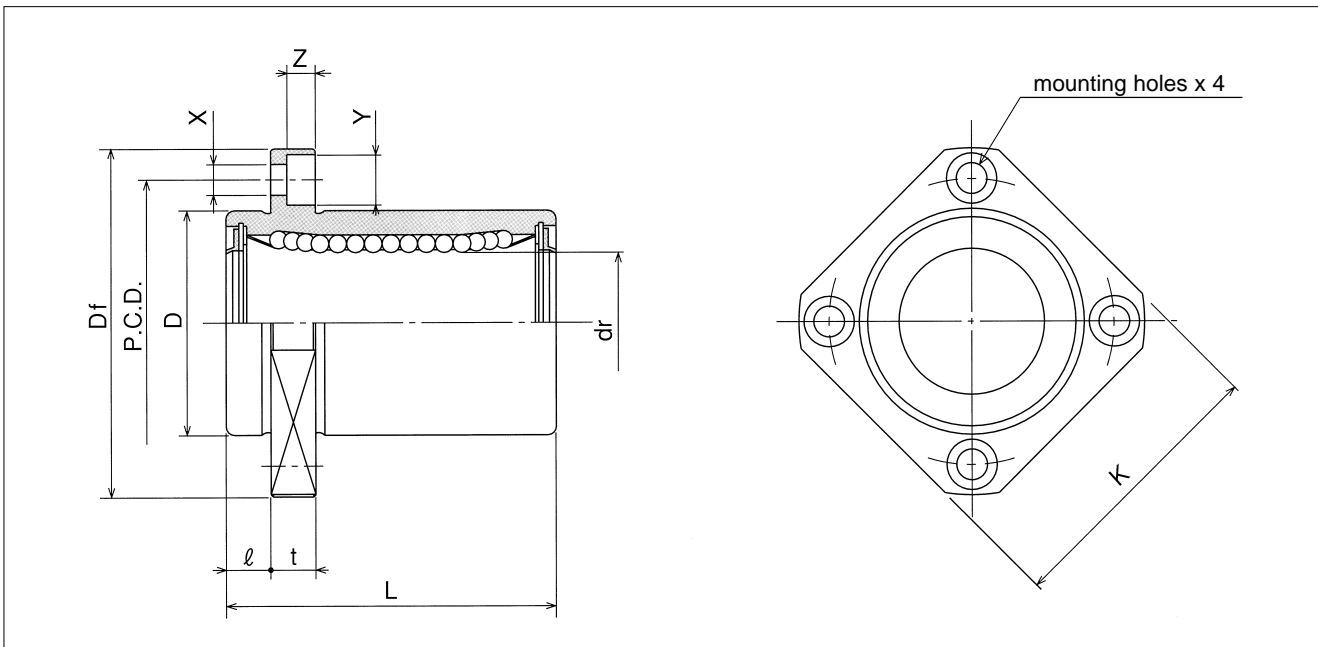
This type is a metric dimension series widely used in Japan and other countries.



part number structure	
example	SMSK 25 G UU - E - SK
specification	
SMK	standard
SMSK	anticorrosion
inner contact diameter	
retainer material	
blank	steel
G	resin
seals on both sides	
outer cylinder surface treatment	
blank	no surface treatment
SK	electroless nickel plating
RD	Raydent treatment
SB	black oxide*
SC	industrial chrome plating
*not available in SMSK type with pilot end	

part number*								
standard		anticorrosion		dr		D		L
steel retainer	resin retainer	stainless retainer	resin retainer	mm	tolerance μm	mm	tolerance μm	±0.3 mm
SMK 6UU-E	SMK 6GUU-E	SMSK 6UU-E	SMSK 6GUU-E	6		12	0	19
SMK 8UU-E	SMK 8GUU-E	SMSK 8UU-E	SMSK 8GUU-E	8		15	-13	24
SMK10UU-E	SMK10GUU-E	SMSK10UU-E	SMSK10GUU-E	10	0	19		29
SMK12UU-E	SMK12GUU-E	SMSK12UU-E	SMSK12GUU-E	12	-9	21	0	30
SMK13UU-E	SMK13GUU-E	SMSK13UU-E	SMSK13GUU-E	13		23	-16	32
SMK16UU-E	SMK16GUU-E	SMSK16UU-E	SMSK16GUU-E	16		28		37
SMK20UU-E	SMK20GUU-E	SMSK20UU-E	SMSK20GUU-E	20	0	32	0	42
SMK25UU-E	SMK25GUU-E	SMSK25UU-E	SMSK25GUU-E	25	-10	40	-19	59
SMK30UU-E	SMK30GUU-E	SMSK30UU-E	SMSK30GUU-E	30		45		64
SMK35UU-E	SMK35GUU-E	—	—	35	0	52	0	70
SMK40UU-E	SMK40GUU-E	—	—	40		60		80
SMK50UU-E	SMK50GUU-E	—	—	50	-12	80	-22	100
SMK60UU-E	SMK60GUU-E	—	—	60	0/-15	90	0/-25	110

* UU type is standard feature.



major dimensions						eccentricity	perpendicularity	basic load rating		mass	shaft diameter
flange								dynamic	static		
\varnothing mm	Df mm	K mm	t mm	P.C.D. mm	X×Y×Z mm	μ m	μ m	N	N	g	mm
5	28	22	5	20	3.5×6×3.1	12	12	206	265	18	6
5	32	25	5	24	3.5×6×3.1			274	392	29	8
6	40	30	6	29	4.5×7.5×4.1			372	549	52	10
6	42	32	6	32	4.5×7.5×4.1			510	784	57	12
6	43	34	6	33	4.5×7.5×4.1			510	784	72	13
6	48	37	6	38	4.5×7.5×4.1			774	1,180	104	16
8	54	42	8	43	5.5×9×5.1	15	15	882	1,370	145	20
8	62	50	8	51	5.5×9×5.1			980	1,570	300	25
10	74	58	10	60	6.6×11×6.1			1,570	2,740	375	30
10	82	64	10	67	6.6×11×6.1	20	20	1,670	3,140	560	35
13	96	75	13	78	9×14×8.1			2,160	4,020	880	40
13	116	92	13	98	9×14×8.1			3,820	7,940	2,000	50
18	134	106	18	112	11×17×11.1	25	25	4,700	10,000	2,560	60

1N \approx 0.102kgf