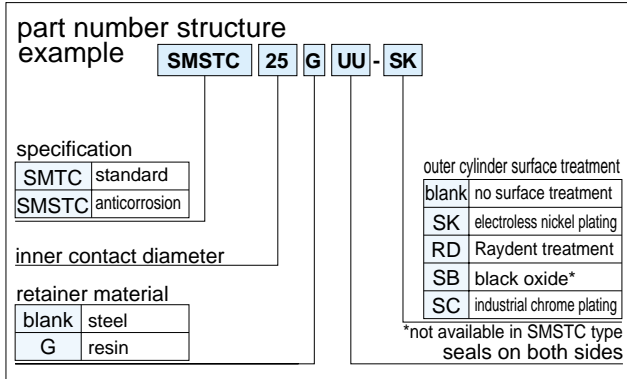


# SMTC TYPE

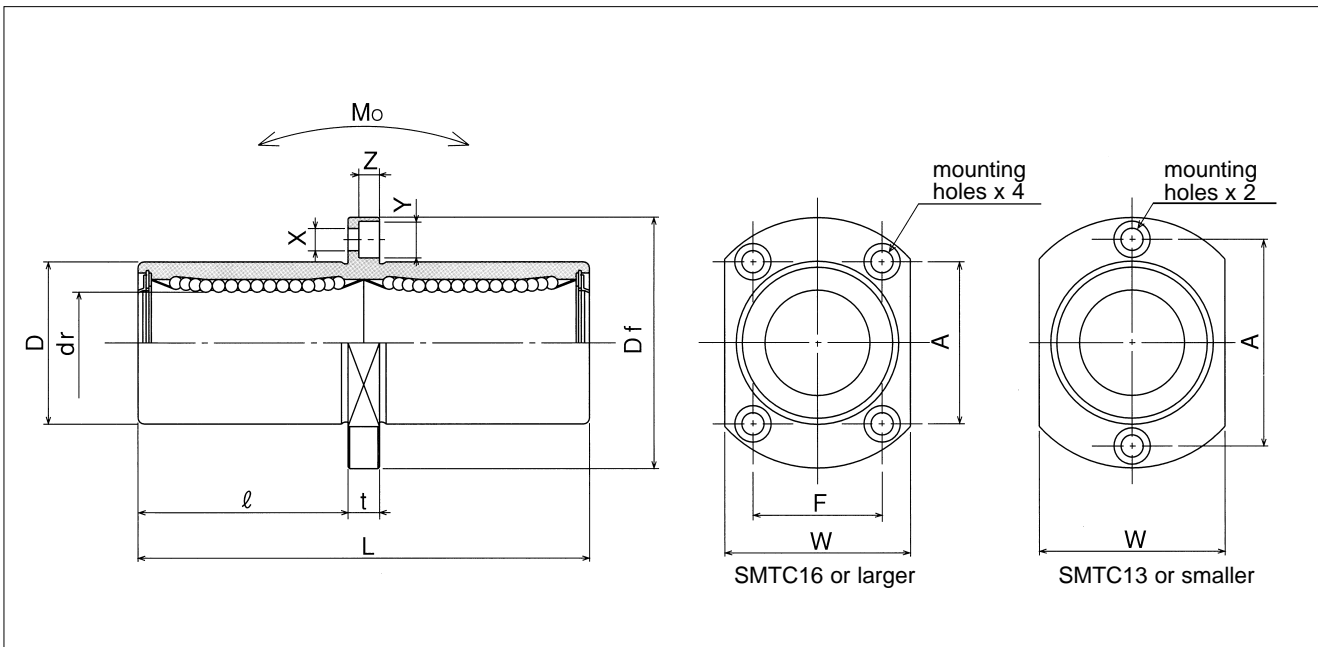
## – Two Side Cut Center Flange Type –

This type is a metric dimension series widely used in Japan and other countries.



part number*										
standard		anticorrosion		dr		D		L		
steel retainer	resin retainer	stainless retainer	resin retainer	mm	tolerance μm	mm	tolerance μm	±0.3 mm	ℓ mm	Df mm
SMTC 6UU	SMTC 6GUU	SMSTC 6UU	SMSTC 6GUU	6		12	0	35	15	28
SMTC 8UU	SMTC 8GUU	SMSTC 8UU	SMSTC 8GUU	8		15	-13	45	20	32
SMTC10UU	SMTC10GUU	SMSTC10UU	SMSTC10GUU	10	0	19		55	24.5	40
SMTC12UU	SMTC12GUU	SMSTC12UU	SMSTC12GUU	12	-10	21	0	57	25.5	42
SMTC13UU	SMTC13GUU	SMSTC13UU	SMSTC13GUU	13		23	-16	61	27.5	43
SMTC16UU	SMTC16GUU	SMSTC16UU	SMSTC16GUU	16		28		70	32	48
SMTC20UU	SMTC20GUU	SMSTC20UU	SMSTC20GUU	20	0	32	0	80	36	54
SMTC25UU	SMTC25GUU	SMSTC25UU	SMSTC25GUU	25		40		112	52	62
SMTC30UU	SMTC30GUU	SMSTC30UU	SMSTC30GUU	30	-12	45	-19	123	56.5	74

\* UU type is standard.



major dimensions					eccentricity $\mu\text{m}$	perpen- dicularity $\mu\text{m}$	basic load rating		allowable static moment $M_o$ $\text{N}\cdot\text{m}$	mass $\text{g}$	shaft diameter $\text{mm}$
flange							dynamic $C$ $\text{N}$	static $C_o$ $\text{N}$			
$W$ $\text{mm}$	$t$ $\text{mm}$	$A$ $\text{mm}$	$F$ $\text{mm}$	$X\times Y\times Z$ $\text{mm}$							
18	5	20	—	3.5×6×3.1	15	15	323	530	2.18	28	6
21	5	24	—	3.5×6×3.1			431	784	4.31	47	8
25	6	29	—	4.5×7.5×4.1			588	1,100	7.24	90	10
27	6	32	—	4.5×7.5×4.1			813	1,570	10.9	102	12
29	6	33	—	4.5×7.5×4.1			813	1,570	11.6	123	13
34	6	31	22	4.5×7.5×4.1			1,230	2,350	19.7	182	16
38	8	36	24	5.5×9×5.1	20	20	1,400	2,740	26.8	247	20
46	8	40	32	5.5×9×5.1			1,560	3,140	43.4	525	25
51	10	49	35	6.6×11×6.1			2,490	5,490	82.8	645	30

1N $\approx$ 0.102kgf 1N·m $\approx$ 0.102kgf·m