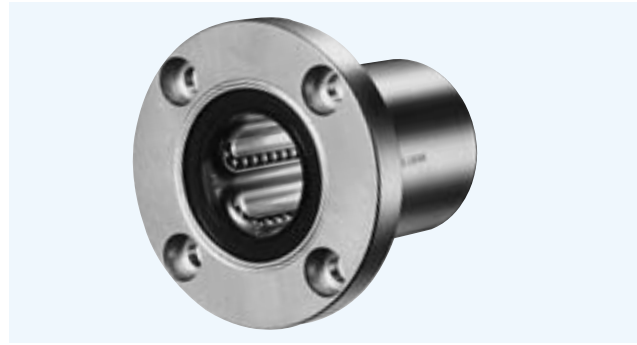


# SWF TYPE

## — Round Flange Type —

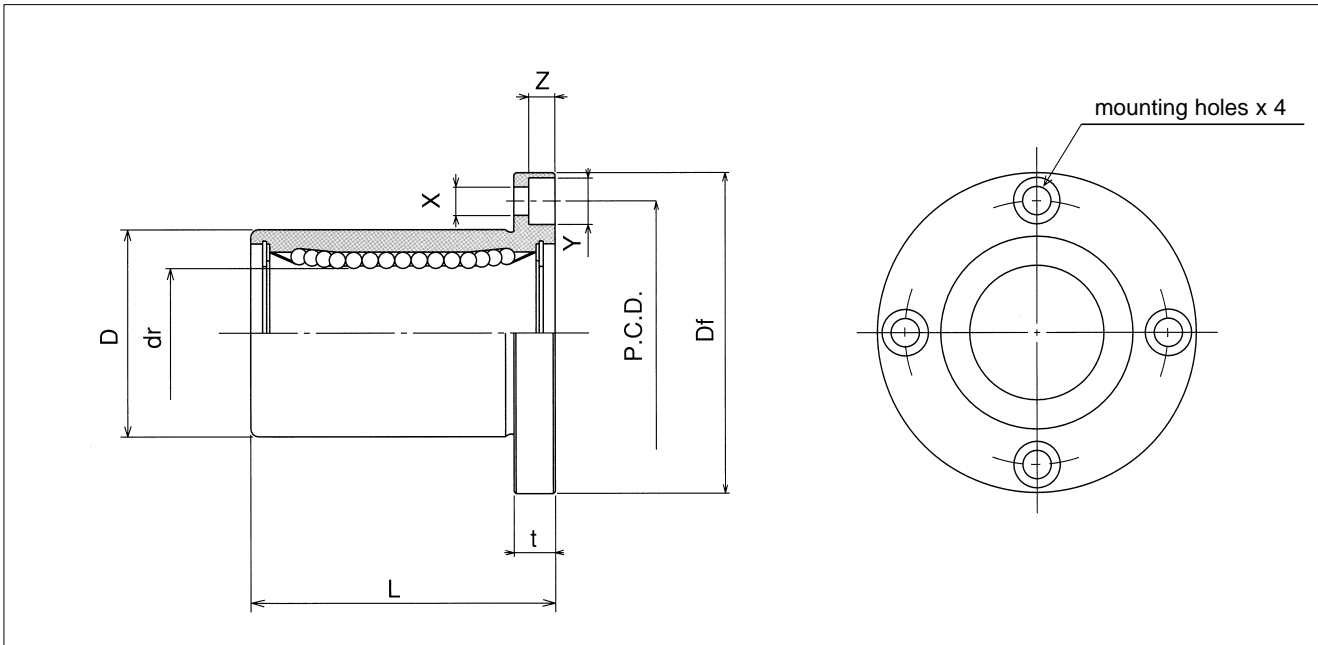
This type is an inch dimension series mainly used in the U.S.



part number structure											
example	<b>SWSF 16 G UU - SK</b>										
specification	<table border="1"> <tr> <td>SWF</td> <td>standard</td> </tr> <tr> <td>SWSF</td> <td>anticorrosion</td> </tr> </table>	SWF	standard	SWSF	anticorrosion						
SWF	standard										
SWSF	anticorrosion										
inner contact diameter	16										
retainer material	<table border="1"> <tr> <td>blank</td> <td>steel</td> </tr> <tr> <td>G</td> <td>resin</td> </tr> </table>	blank	steel	G	resin						
blank	steel										
G	resin										
outer cylinder surface treatment	<table border="1"> <tr> <td>blank</td> <td>no surface treatment</td> </tr> <tr> <td>SK</td> <td>electroless nickel plating</td> </tr> <tr> <td>RD</td> <td>Raydent treatment</td> </tr> <tr> <td>SB</td> <td>black oxide*</td> </tr> <tr> <td>SC</td> <td>industrial chrome plating</td> </tr> </table>	blank	no surface treatment	SK	electroless nickel plating	RD	Raydent treatment	SB	black oxide*	SC	industrial chrome plating
blank	no surface treatment										
SK	electroless nickel plating										
RD	Raydent treatment										
SB	black oxide*										
SC	industrial chrome plating										
seal	<table border="1"> <tr> <td>blank</td> <td>without seal</td> </tr> <tr> <td>UU</td> <td>seals on both sides</td> </tr> </table>	blank	without seal	UU	seals on both sides						
blank	without seal										
UU	seals on both sides										

\*not available in SWSF type

part number				dr		D		L
standard		anticorrosion		inch	tolerance	inch	tolerance	$\pm .012$ $\pm 0.3$ inch mm
steel retainer	resin retainer	stainless retainer	resin retainer	mm	inch/ $\mu$ m	mm	inch/ $\mu$ m	
<b>SWF 4</b>	<b>SWF 4G</b>	<b>SWSF 4</b>	<b>SWSF 4G</b>	.2500 6.350	0 - .00040	.5000 12.700	$^{0}_{-.00050}$ $^{0}_{-.13}$	.7500 19.050
<b>SWF 6</b>	<b>SWF 6G</b>	<b>SWSF 6</b>	<b>SWSF 6G</b>	.3750 9.525		.6250 15.875	$^{0}_{-.00065}$	.8750 22.225
<b>SWF 8</b>	<b>SWF 8G</b>	<b>SWSF 8</b>	<b>SWSF 8G</b>	.5000 12.700	0 - 9	.8750 22.225	$^{0}_{-.00065}$ $^{0}_{-16}$	1.2500 31.750
<b>SWF10</b>	<b>SWF10G</b>	<b>SWSF10</b>	<b>SWSF10G</b>	.6250 15.875		1.1250 28.575		1.5000 38.100
<b>SWF12</b>	<b>SWF12G</b>	<b>SWSF12</b>	<b>SWSF12G</b>	.7500 19.050	0 - .00040	1.2500 31.750	$^{0}_{-.00075}$	1.6250 41.275
<b>SWF16</b>	<b>SWF16G</b>	<b>SWSF16</b>	<b>SWSF16G</b>	1.0000 25.400	0 - 10	1.5625 39.688	$^{0}_{-.00075}$ $^{0}_{-19}$	2.2500 57.150
<b>SWF20</b>	<b>SWF20G</b>	<b>SWSF20</b>	<b>SWSF20G</b>	1.2500 31.750	0 - .00050	2.0000 50.800	$^{0}_{-.00090}$	2.6250 66.675
<b>SWF24</b>	<b>SWF24G</b>	<b>SWSF24</b>	<b>SWSF24G</b>	1.5000 38.100		2.3750 60.325	$^{0}_{-.00090}$ $^{0}_{-22}$	3.0000 76.200
<b>SWF32</b>	<b>SWF32G</b>	<b>SWSF32</b>	<b>SWSF32G</b>	2.0000 50.800	0 - 12	3.0000 76.200	$^{0}_{-.00100}$	4.0000 101.600
<b>SWF40</b>	—	—	—	2.5000 63.500	0 - .00060	3.7500 95.250	$^{0}_{-.00100}$ $^{0}_{-25}$	5.0000 127.000
<b>SWF48</b>	—	—	—	3.0000 76.200	0 - 15	4.5000 114.300		6.0000 152.400
<b>SWF64</b>	—	—	—	4.0000 101.600	$^{0}_{-.00080}$ $^{0}_{-20}$	6.0000 152.400	$^{0}_{-.00115}$ $^{0}_{-29}$	8.0000 203.200



major dimensions				eccentricity	perpendicularity	basic load rating		mass	shaft diameter		
flange						inch	μm			dynamic	static
Df	t	P.C.D.	X×Y×Z	inch	μm	C	Co	g	inch	mm	
1.2500 31.750	0.219 5.556	.8750 22.225	.1560 × .2500 × .1410 3.969 × 6.350 × 3.572	.0005	.0005	206	265	32	1/4	6.350	
1.5000 38.100	.2500 6.350	1.0620 26.988	.1875 × .2970 × .1720 4.763 × 7.541 × 4.366			225	314	47	3/8	9.525	
1.7500 44.450	.2500 6.350	1.312 33.338	.1875 × .2970 × .1720 4.763 × 7.541 × 4.366			12	12	510	784	88	12.700
2.0000 50.800	.2500 6.350	1.5620 39.688	.1875 × .2970 × .1720 4.763 × 7.541 × 4.366			774	1,180	140	5/8	15.875	
2.1875 55.563	.3125 7.938	1.7180 43.660	.2187 × .3440 × .2030 5.556 × 8.731 × 5.159	.0006	.0006	862	1,370	190	3/4	19.050	
2.5000 63.500	.3125 7.938	2.0310 51.594	.2187 × .3440 × .2030 5.556 × 8.731 × 5.159			15	15	980	1,570	325	1 25.400
3.1250 79.375	.3750 9.525	2.5625 65.088	.2812 × .4060 × .2656 7.144 × 10.319 × 6.747	.0008	.0008	1,570	2,740	665	1-1/4	31.750	
3.7500 95.250	.5000 12.700	3.0625 77.788	.3440 × .5000 × .3280 8.731 × 12.700 × 8.334			20	20	2,180	4,020	1,100	1-1/2 38.100
4.3750 111.125	.5000 12.700	3.6875 93.662	.3440 × .5000 × .3280 8.731 × 12.700 × 8.334	.0010	.0010	3,820	7,940	1,760	2	50.800	
5.3750 136.525	.7500 19.050	4.5625 115.887	.4062 × .6250 × .3750 10.319 × 15.875 × 9.525			4,700	10,000	3,570	2-1/2	63.500	
6.1250 155.575	.7500 19.050	5.3125 134.937	.4062 × .6250 × .3750 10.319 × 15.875 × 9.525			25	25	7,350	16,000	5,600	3 76.200
8.0000 203.200	.8750 22.225	7.0000 177.800	.5000 × .7125 × .5000 12.700 × 18.097 × 12.700	.0012	.0012	14,100	34,800	12,000	4	101.600	

1N ≅ 0.225lbs 1kg ≅ 2.205lbs