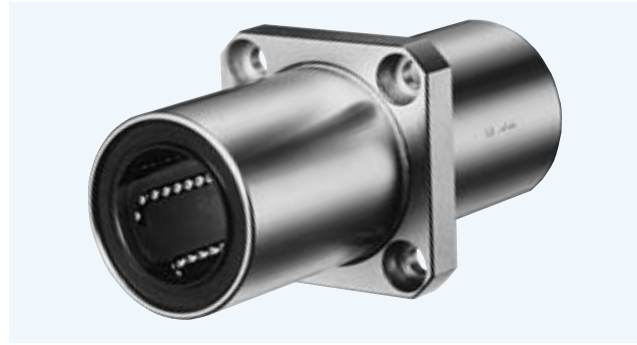


SWKC TYPE

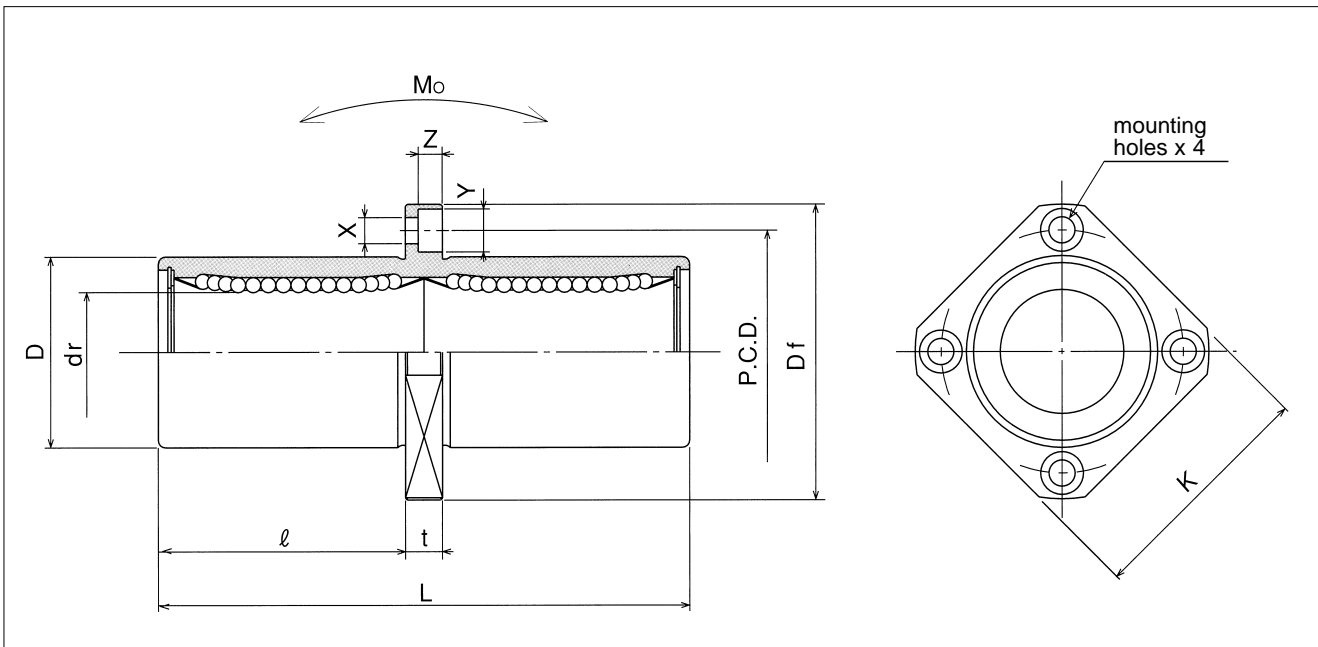
– Center Mount Square Flange Type –

This type is an inch dimension series mainly used in the U.S.



part number structure		example		SWSKC 16 G UU - SK	
specification		inner contact diameter		outer cylinder surface treatment	
SWKC	standard			blank	no surface treatment
SWSKC	anticorrosion			SK	electroless nickel plating
retainer material				RD	Raydent treatment
blank	steel			SB	black oxide*
G	resin			SC	industrial chrome plating
				*not available in SWSKC type	
				seal	
				blank	without seal
				UU	seals on both sides

part number									
standard		anticorrosion		dr		D		L ±.012 ±0.3 inch mm	ℓ inch mm
steel retainer	resin retainer	stainless retainer	resin retainer	inch mm	tolerance inch/μm	inch mm	tolerance inch/μm		
SWKC 4	SWKC 4G	SWSKC 4	SWSKC 4G	.2500 6.350	0 -10	.5000 12.700	0 -13	1.3750 34.925	.5781 14.684
SWKC 6	SWKC 6G	SWSKC 6	SWSKC 6G	.3750 9.525		.6250 15.875	0 -16	1.5938 40.481	.6719 17.066
SWKC 8	SWKC 8G	SWSKC 8	SWSKC 8G	.5000 12.700	0 -10	.8750 22.225	0 -16	2.3750 60.325	1.0625 26.988
SWKC10	SWKC10G	SWSKC10	SWSKC10G	.6250 15.875		1.1250 28.575		2.8125 71.438	1.2813 32.544
SWKC12	SWKC12G	SWSKC12	SWSKC12G	.7500 19.050	0 -12	1.2500 31.750	0 -19	3.0937 78.581	1.3906 35.322
SWKC16	SWKC16G	SWSKC16	SWSKC16G	1.0000 25.400		1.5625 39.688		4.2813 108.744	1.9844 50.403
SWKC20	SWKC20G	SWSKC20	SWSKC20G	1.2500 31.750	0 -15	2.0000 50.800	0 -22	5.0000 127.000	2.3125 58.738
SWKC24	SWKC24G	SWSKC24	SWSKC24G	1.5000 38.100		2.3750 60.325		5.6875 144.463	2.5938 65.882
SWKC32	SWKC32G	SWSKC32	SWSKC32G	2.0000 50.800		3.0000 76.200	0 -25	7.7500 196.850	3.6250 92.075



major dimensions					eccentricity	perpen- dicularity	basic load rating		allowable static moment M_o	mass	shaft diameter
flange							dynamic	static			
Df inch mm	K inch mm	t inch mm	P.C.D. inch mm	X×Y×Z inch mm	inch μm	inch μm	C N	Co N	N · m	g	inch mm
1.2500 31.750	1.0000 25.400	.2188 5.556	.8750 22.225	.1563 × .2500 × .1406 3.969 × 6.350 × 3.572	.0006	15	323	530	2.0	33	1/4 6.350
1.5000 38.100	1.2500 31.750	.2500 6.350	1.0625 26.988	.1875 × .2969 × .1719 4.763 × 7.541 × 4.366			353	630	2.7	45	3/8 9.525
1.7500 44.450	1.3750 34.925	.2500 6.350	1.3125 33.338	.1875 × .2969 × .1719 4.763 × 7.541 × 4.366			813	1,570	11.5	106	1/2 12.700
2.0000 50.800	1.5000 38.100	.2500 6.350	1.5625 39.688	.1875 × .2969 × .1719 4.763 × 7.541 × 4.366			1,230	2,350	20.0	200	5/8 15.875
2.1875 55.563	1.6875 42.863	.3125 7.938	1.7188 43.656	.2188 × .3438 × .2031 5.556 × 8.731 × 5.159	.0008	20	1,370	2,740	26.5	240	3/4 19.050
2.5000 63.500	2.0000 50.800	.3125 7.938	2.0313 51.594	.2188 × .3438 × .2031 5.556 × 8.731 × 5.159			1,570	3,140	41.2	470	1 25.400
3.1250 79.375	2.5000 63.500	.3750 9.525	2.5625 65.088	.2813 × .4063 × .2656 7.144 × 10.319 × 6.747	.0010	25	2,500	5,490	84.8	935	1-1/4 31.750
3.7500 95.250	3.0000 76.200	.5000 12.700	3.0625 77.788	.3437 × .5000 × .3281 8.731 × 12.700 × 8.334			3,430	8,040	143	1,460	1-1/2 38.100
4.3750 111.125	3.5000 88.900	.5000 12.700	3.6875 93.662	.3437 × .5000 × .3281 8.731 × 12.700 × 8.334	.0012 30	.0012 30	6,080	15,900	399	2,620	2 50.800

1N \approx 0.225lbs 1N·m \approx 0.738lb · ft