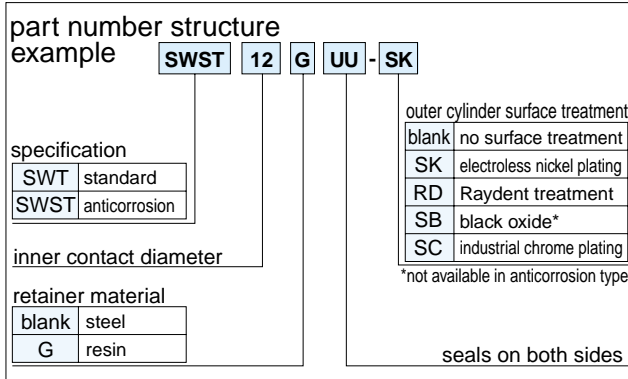


SWT TYPE

— Two Side Cut Flange Type —

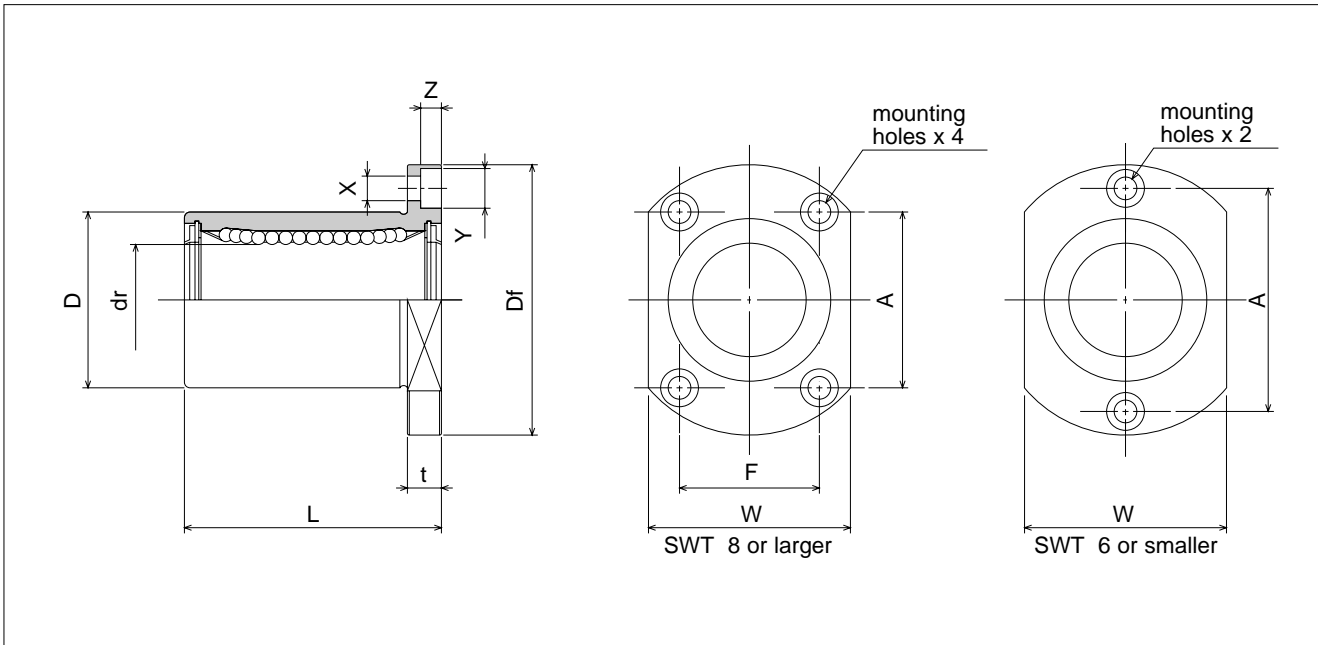
SWT type is an inch dimension series generally used in the U.S.



part number***				number of ball circuits	dr		D		L ±0.012 inch
standard		anticorrosion			inch	tolerance inch	inch	tolerance inch	
steel retainer	resin retainer	stainless retainer	resin retainer						
SWT 4UU	SWT 4GUU	SWST 4UU	SWST 4GUU	3****	.2500	0 -.00040	.5000	0/- .00050	.7500
SWT 6UU	SWT 6GUU	SWST 6UU	SWST 6GUU	4	.3750		.6250	0 -.00065	.8750
SWT 8UU	SWT 8GUU	SWST 8UU	SWST 8GUU	4	.5000		.8750	0 -.00075	1.2500
SWT10UU	SWT10GUU	SWST10UU	SWST10GUU	4	.6250		1.1250	0 -.00075	1.5000
SWT12UU	SWT12GUU	SWST12UU	SWST12GUU	5	.7500		1.2500	0 -.00075	1.6250
SWT16UU	SWT16GUU	SWST16UU	SWST16GUU	6	1.0000		1.5625	0 -.00075	2.2500
SWT20UU	SWT20GUU	SWST20UU	SWST20GUU	6	1.2500	0/- .00050	2.0000	0/- .00090	2.6250

*** UU type is standard feature.

**** 4 rows for resin retainer type.



major dimensions						eccentricity	perpendicularity	basic load rating		mass	shaft diameter
flange								dynamic	static		
Df	W	t	A	F	X×Y×Z			C	Co		
inch	inch	inch	inch	inch	inch	inch	inch	N	N	g	inch
1.2500	.7500	.2190	.8750	-	.1560 × .2500 × .1410	.0005	.0005	206	265	28	1/4
1.5000	.8750	.2500	1.0625	-	.1875 × .2970 × .1720			225	314	44	3/8
1.7500	1.1250	.2500	1.1250	.6875	.1875 × .2970 × .1720			510	784	77	1/2
2.0000	1.3750	.2500	1.2500	.9375	.1875 × .2970 × .1720			774	1,180	125	5/8
2.1875	1.5000	.3125	1.3750	1.0000	.2187 × .3440 × .2030	.0006	.0006	862	1,370	162	3/4
2.5000	1.8750	.3125	1.5625	1.3125	.2187 × .3440 × .2030			980	1,570	293	1
3.1250	2.3750	.3750	1.8750	1.7500	.2812 × .4060 × .2656	.0008	.0008	1,570	2,740	586	1 – 1/4

1N ≅ 0.225 ℓ bs 1kg ≅ 2.205 ℓ bs