



17D/17E/17R

SANDEX

17D/17E/17R Dimensions

(Unit : mm)

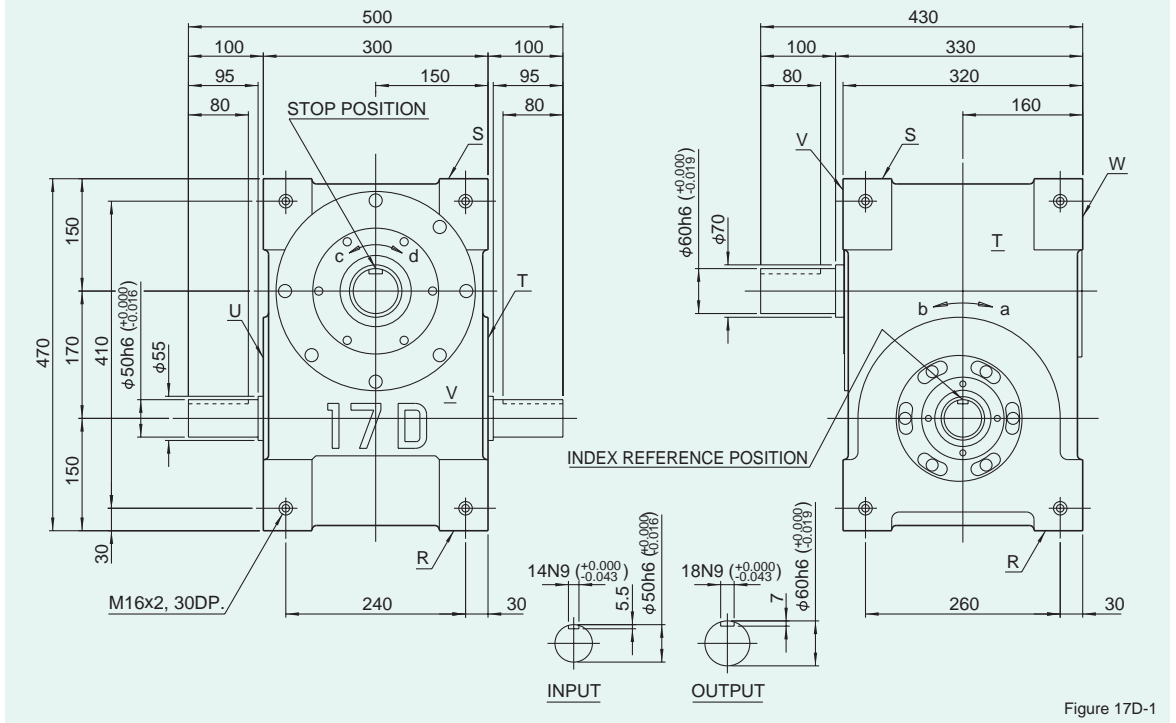
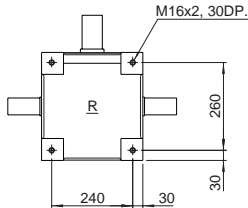


Figure 17D-1

Mounting hole locations

Figure 17D-2



Dimension of R and S surface

Locations of oil plug, etc., and oil capacity

Figure 17D-3

Mounting position	1	2	3	4	5	6
Location						
Oil capacity (ℓ)	10	9	9	9	4	7

Precautions

- Each point indicated in the mounting positions shown in Figure 17D-3 represents (starting at top) the oil plug (PT3/4), oil level (VB), and drain (PT3/4).
- The mounting positions correspond to code i for the indexing, oscillating, and roller drives.
- The oil levels indicated in Figure 17D-3 are given in general figures and will differ according to the profile of the cam and the number of cam followers.

Specifications

Table 17D-1

Item	Symbol	Unit	Value	Item	Symbol	Unit	Value	Item	Symbol	Unit	Value
Output allowable axial load	P ₁	N	8134	Input allowable axial load	P ₄	N	5782	Indexing accuracy (1 DWELL)		sec	±30
Output allowable radial load	P ₂	N	9604	Input maximum repetitive bending force	P ₅	N	9800	Indexing accuracy (2 DWELL)		sec	±60
Output static torque	T _s	N·m	Refer to Torque Capacity Table	Input maximum repetitive allowable torque	P ₆	N·m	1421	Indexing accuracy (3 DWELL)		sec	±90
Output torsional rigidity	K ₁	N·m/rad	4.02×10 ⁵	Input torsional rigidity	K ₂	N·m/rad	1.37×10 ⁵	Indexing accuracy (4 DWELL)		sec	±120
Output inertia	J _o	kg·m ²	6.25×10 ⁻²	Input inertia	J ₁	kg·m ²	7.25×10 ⁻²	Repetitive accuracy		sec	15
Output allowable bending moment	P ₃	N·m	392					Product weight		kg	200
								Housing color		Gray	

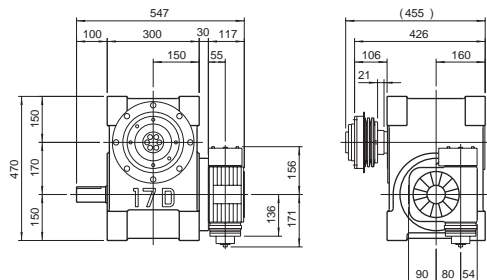
Note : Input inertia : J is calculated in dwell.

(1N=0.102kgf)

Mounted accessories

Figure 17D-4

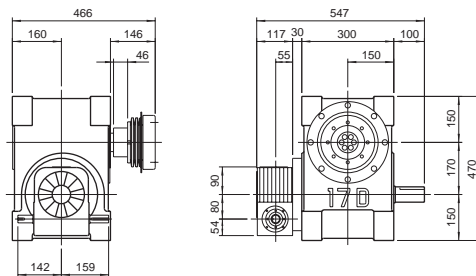
17D(a)



Example Model Code

Indexing Drive **17D** — **12272R** — **LR3VW** **1**
 Reducer **R80** — **40** **RCB** **3** / **1**
 Torque Limiter **11** **TF** — **120** **B**

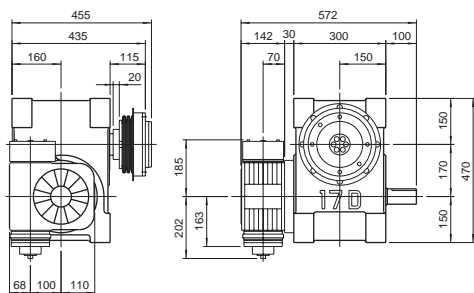
17D(b)



Example Model Code

Indexing Drive **17D** — **12272R** — **LR3VW** **5**
 Reducer **R80** — **40** **RA** **14** / **5**
 Torque Limiter **11** **TC** — **100** **B**

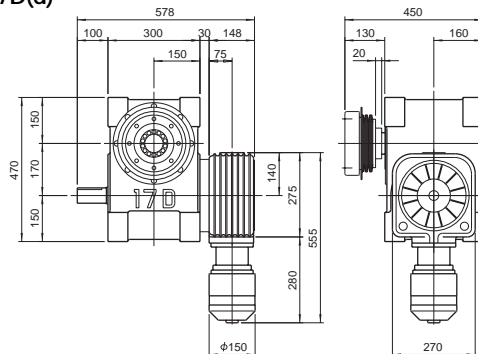
17D(c)



Example Model Code

Indexing Drive **17D** — **12272R** — **LR3VW** **1**
 Reducer **R100** — **40** **RCB** **15** / **1**
 Torque Limiter **14** **TF** — **120** **B**

17D(d)



Example Model Code

Indexing Drive **17D** — **12272R** — **LB3VW** **1**
 Cambalancer **B16** — **0199** — **4** / **1**
 Torque Limiter **14** **TC** — **130** **B**

Precautions

- Models 17D,17E, and 17R can be equipped with reducers R80 and R100.
- The reducer can be mounted in 16 different positions as shown on page of Reducer.
- Models 17D, 17E, and 17R can be equipped with torque limiters 11TF, 14TF, 11TC and 14TC.
- Torque limiter TF-types require a collar for mounting.
- Torque limiter TC-types require a collar for mounting.
- Reducers require a collar for mounting.