

18DT/18RT

SANDEX

18DT/18RT Dimensions

(Unit : mm)

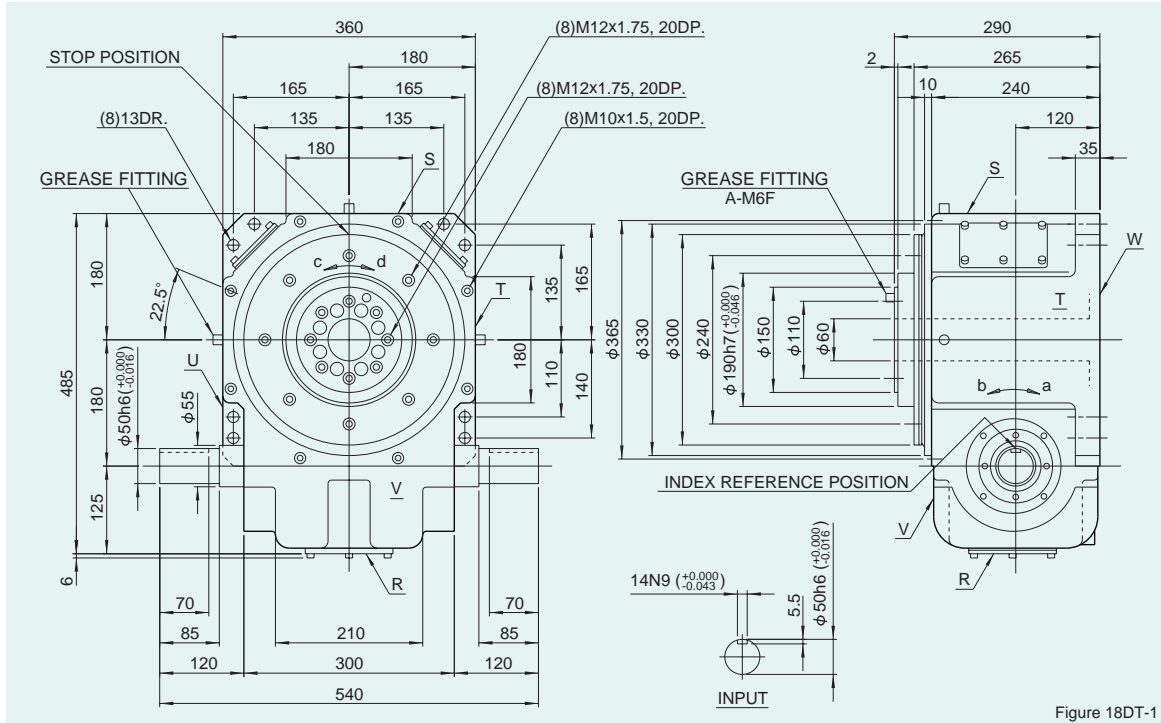


Figure 18DT-1

Locations of oil plug, etc., and oil capacity

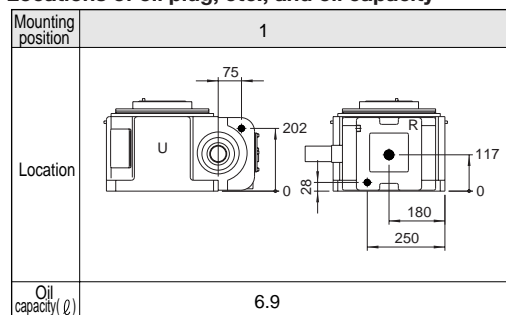


Figure 18DT-2

Precautions

- Each point indicated in the mounting positions shown in Figure 18DT-2 represents (starting at top) the oil plug (PT1/2), oil level (VA-01), and drain (PT1/2).
- The mounting positions correspond to code i for the indexing, oscillating, and roller drives.
- The oil levels indicated in Figure 18DT-2 are given in general figures and will differ according to the profile of the cam and the number of cam followers.

Specifications

Table 18DT-1

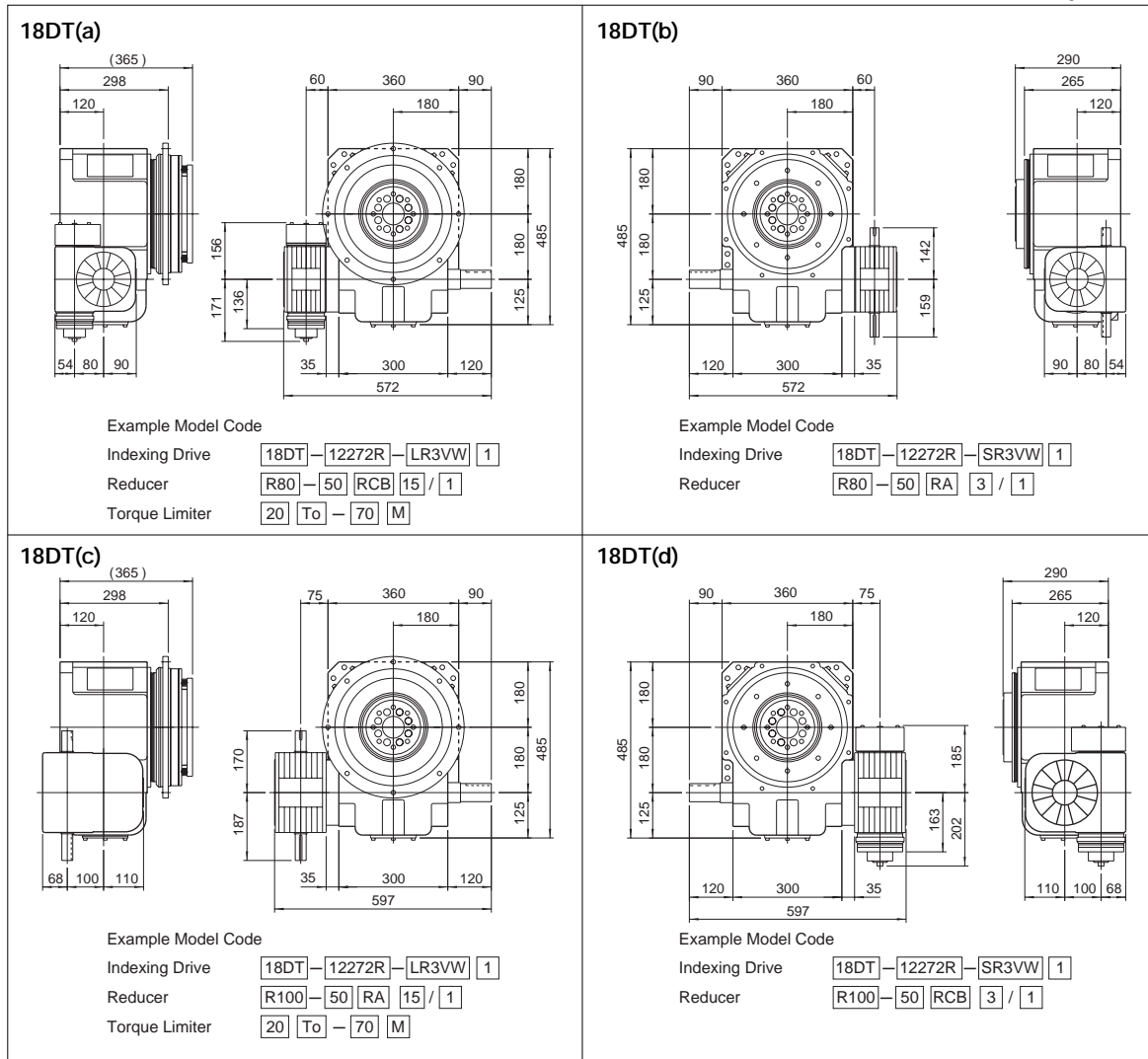
Item	Symbol	Unit	Value	Item	Symbol	Unit	Value	Item	Symbol	Unit	Value
Output allowable axial load	P ₁	N	14700	Input allowable axial load	P ₄	N	11760	Indexing accuracy (1 DWELL)		sec	±30
Output allowable radial load	P ₂	N	10780	Input maximum repetitious bending force	P ₅	N	9408	Indexing accuracy (2 DWELL)		sec	±60
Output static torque	T _s	N·m	Refer to Torque Capacity Table	Input maximum repetitious allowable torque	P ₆	N·m	2156	Indexing accuracy (3 DWELL)		sec	±90
Output torsional rigidity	K ₁	N·m/rad	1.96x10 ⁵	Input torsional rigidity	K ₂	N·m/rad	1.37x10 ⁵	Indexing accuracy (4 DWELL)		sec	±120
Output inertia	J _o	kg·m ²	0.38	Input inertia	J ₁	kg·m ²	5.75x10 ⁻²	Repetitive accuracy		sec	30
Output allowable bending moment	P ₃	N·m	529.2					Product weight		kg	180
								Housing color		Gray	

Note : Input inertia : J is calculated in dwell.

(1N=0.102kgf)

Mounted accessories

Figure 18DT-3



Precautions

- Models 18DT and 18RT can be equipped with reducers R80 and R100.
- The reducer can be mounted in 16 different positions as shown on page of Reducer.
- Models 18DT and 18RT can be equipped with torque limiters 20To.
- Reducers require a collar for mounting.