



35DF/35EF/35RF

SANDEX

35DF/35EF/35RF Dimensions

(Unit : mm)

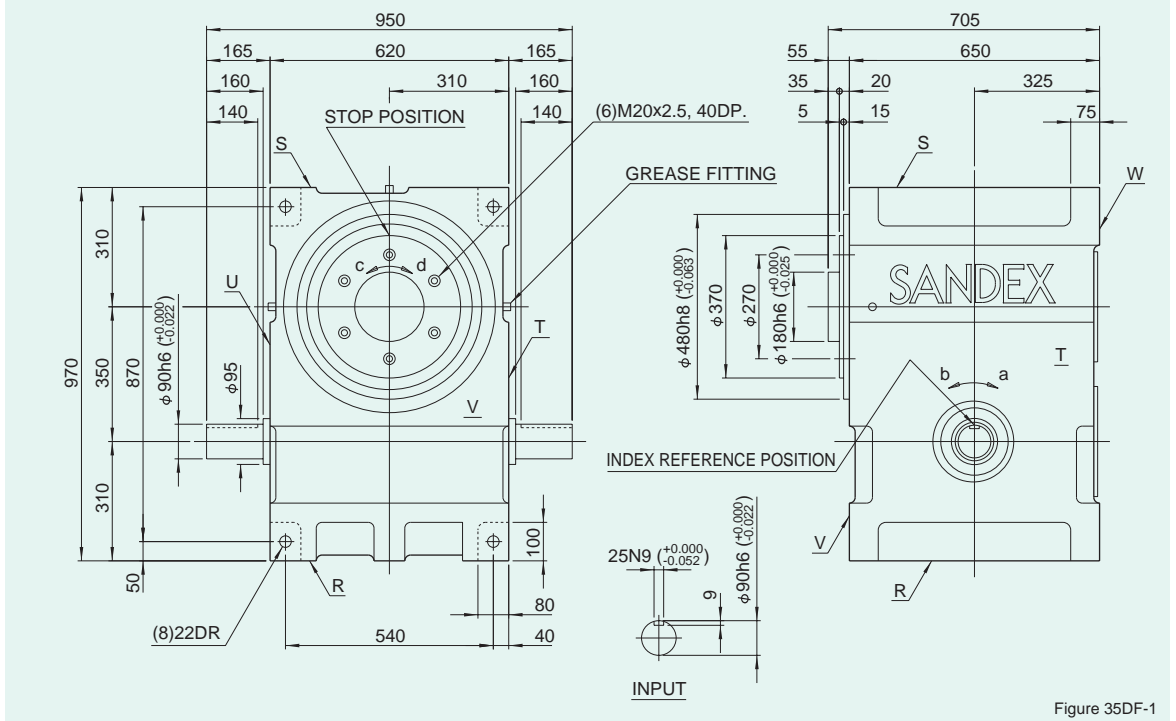
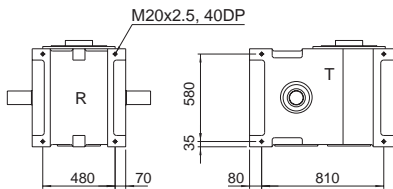


Figure 35DF-1

Mounting hole locations

Figure 35DF-2



Dimension of R, S, T, and U surface

Locations of oil plug, etc., and oil capacity

Figure 35DF-3

Mounting position	1	2	3	4	5	6
Location						
Oil capacity (ℓ)	74.5	67.5	66	66	60	67

Precautions

- Each point indicated in the mounting positions shown in Figure 35DF-3 represents (starting at top) the oil plug (PT1), oil level (VB), and drain (PT1).
- The mounting positions correspond to code i for the indexing, oscillating, and roller drives.
- The oil levels indicated in Figure 35DF-3 are given in general figures and will differ according to the profile of the cam and the number of cam followers.

Specifications

Table 35DF-1

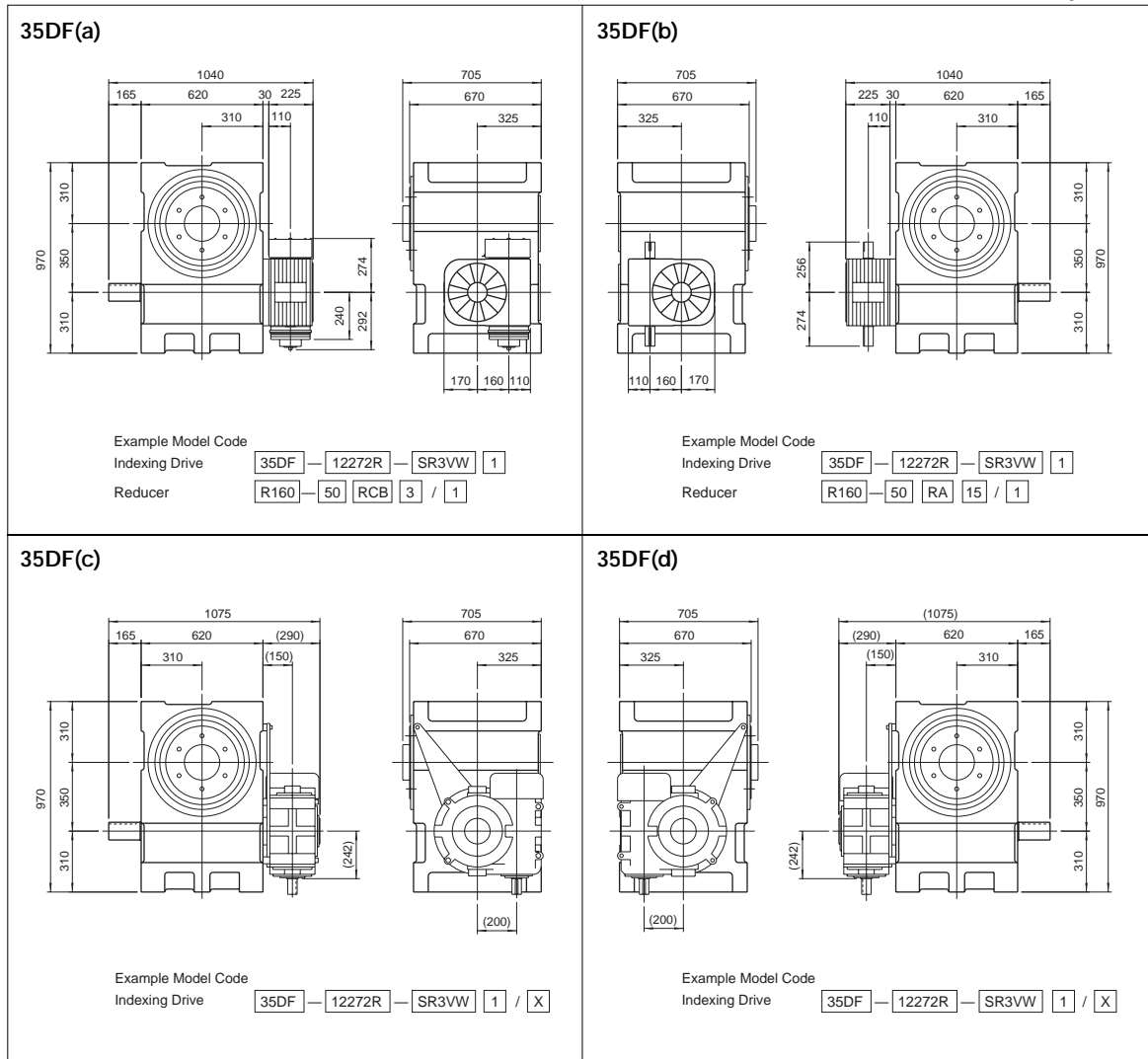
Item	Symbol	Unit	Value	Item	Symbol	Unit	Value	Item	Symbol	Unit	Value
Output allowable axial load	P ₁	N	43120	Input allowable axial load	P ₄	N	19796	Indexing accuracy (1 DWELL)		sec	±20
Output allowable radial load	P ₂	N	53900	Input maximum repetitive bending force	P ₅	N	43120	Indexing accuracy (2 DWELL)		sec	±40
Output static torque	T _s	N·m	Refer to Torque Capacity Table	Input maximum repetitive allowable torque	P ₆	N·m	13230	Indexing accuracy (3 DWELL)		sec	±60
Output torsional rigidity	K ₁	N·m/rad	9.11x10 ⁵	Input torsional rigidity	K ₂	N·m/rad	8.33x10 ⁵	Indexing accuracy (4 DWELL)		sec	±80
Output inertia	J _o	kg·m ²	4.79	Input inertia	J ₁	kg·m ²	2.31	Repetitive accuracy		sec	10
Output allowable bending moment	P ₃	N·m	4018					Product weight		kg	1400
								Housing color		Gray	

Note : Input inertia : J is calculated in dwell.

(1N=0.102kgf)

Mounted accessories

Figure 35DF-3

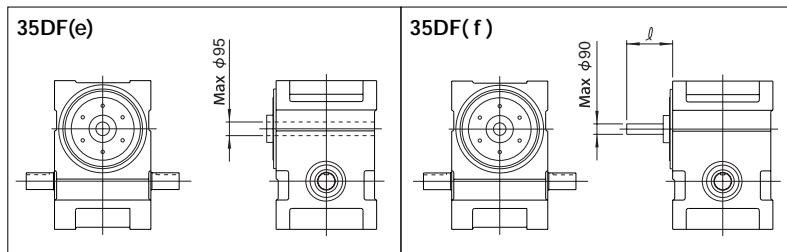


Precautions

- Models 35DF,35EF, and 35RF can be equipped with reducer R160.
- The reducer can be mounted in 16 different positions as shown on page of Reducer.
- Reducers require a collar for mounting.

Hollow-shaft model

Fixed-shaft model



Precautions

- Hollow-shaft and Fixed-shaft models are treated as custom designs. For shapes, dimensions, and various specifications, contact Sankyo.