

35DT/35RT

SANDEX

35DT/35RT Dimensions

(Unit : mm)

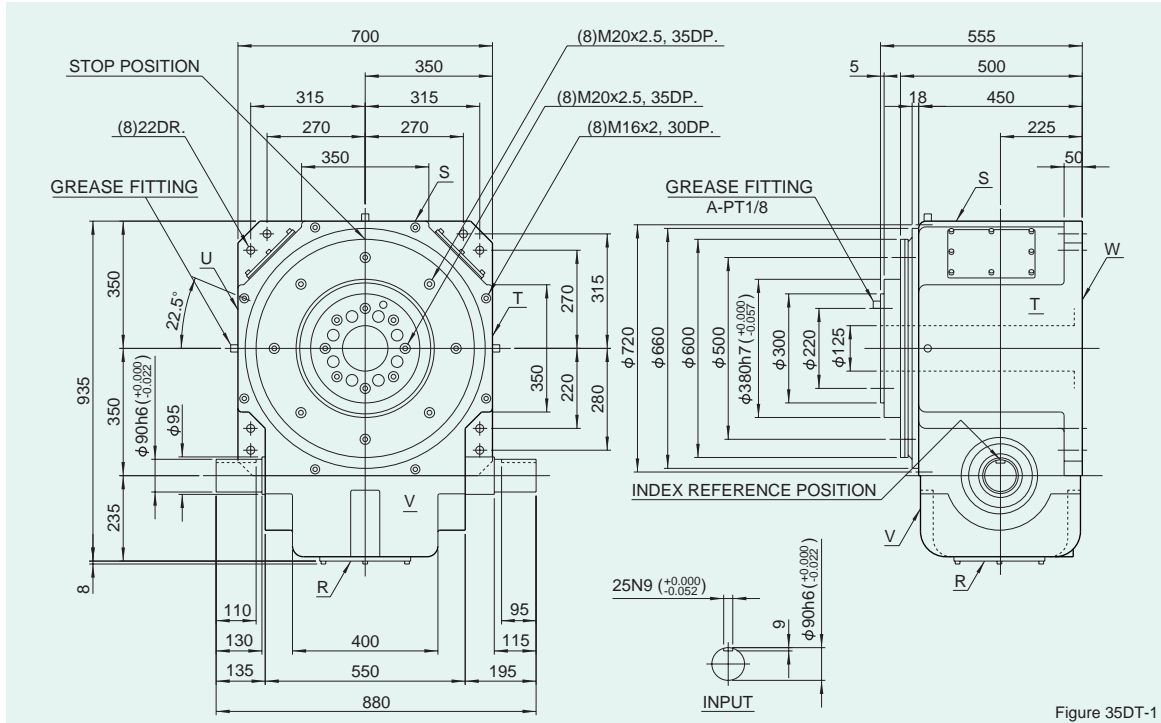


Figure 35DT-1

Locations of oil plug, etc., and oil capacity

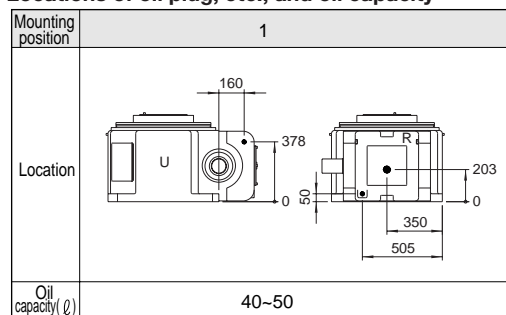


Figure 35DT-2

Precautions

- Each point indicated in the mounting positions shown in Figure 35DT-2 represents (starting at top) the oil plug (PT3/4), oil level (VB), and drain (PT3/4).
- The mounting positions correspond to code i for the indexing, oscillating, and roller drives.
- The oil levels indicated in Figure 35DT-2 are given in general figures and will differ according to the profile of the cam and the number of cam followers.

Specifications

Table 35DT-1

Item	Symbol	Unit	Value	Item	Symbol	Unit	Value	Item	Symbol	Unit	Value
Output allowable axial load	P ₁	N	44100	Input allowable axial load	P ₄	N	27440	Indexing accuracy (1 DWELL)		sec	±20
Output allowable radial load	P ₂	N	32340	Input maximum repetitious bending force	P ₅	N	37240	Indexing accuracy (2 DWELL)		sec	±40
Output static torque	T _s	N·m	Refer to Torque Capacity Table	Input maximum repetitious allowable torque	P ₆	N·m	9800	Indexing accuracy (3 DWELL)		sec	±60
Output torsional rigidity	K ₁	N·m/rad	1.18x10 ⁷	Input torsional rigidity	K ₂	N·m/rad	9.02x10 ⁵	Indexing accuracy (4 DWELL)		sec	±80
Output inertia	J _o	kg·m ²	9.83	Input inertia	J ₁	kg·m ²	0.675	Repetitive accuracy		sec	20
Output allowable bending moment	P ₃	N·m	1960					Product weight		kg	1000
								Housing color		Gray	

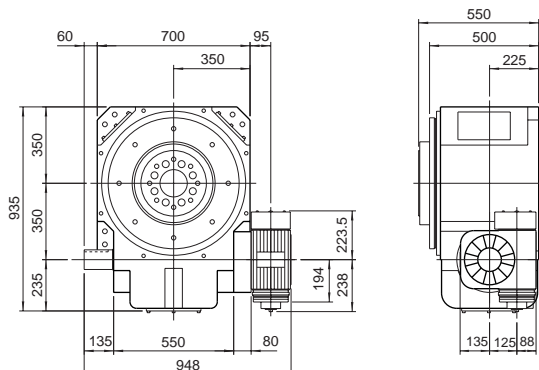
Note : Input inertia : J is calculated in dwell.

(1N=0.102kgf)

Mounted accessories

Figure 35DT-3

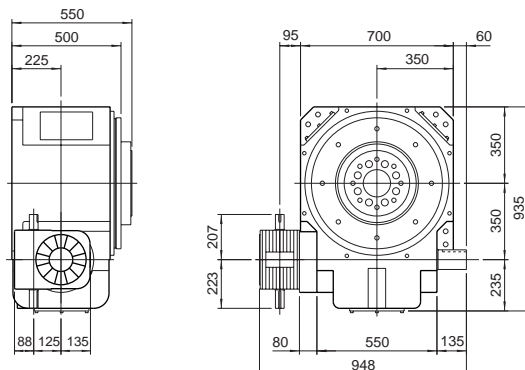
35DT(a)



Example Model Code

Indexing Drive **35DT** - **12272R** - **SR3VW** **1**
 Reducer **R125** - **50** **RCB** **3** / **1**

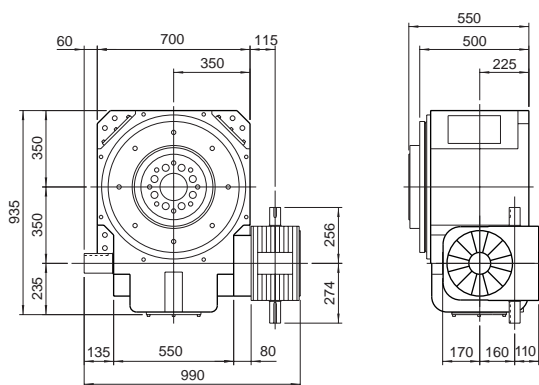
35DT(b)



Example Model Code

Indexing Drive **35DT** - **12272R** - **SR3VW** **1**
 Reducer **R125** - **50** **RA** **15** / **1**

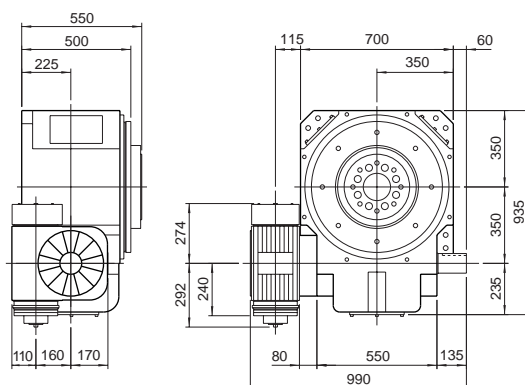
35DT(c)



Example Model Code

Indexing Drive **35DT** - **12272R** - **SR3VW** **1**
 Reducer **R160** - **50** **RA** **3** / **1**

35DT(d)



Example Model Code

Indexing Drive **35DT** - **12272R** - **SR3VW** **1**
 Reducer **R160** - **50** **RCB** **15** / **1**

Precautions

- Models 35DT and 35RT can be equipped with reducers R125 and R160.
- The reducer can be mounted in 16 different positions as shown on page of Reducer.
- Reducers require a collar for mounting.