



4.5DF/4.5EF/4.5RF

SANDEX

4.5DF/4.5EF/4.5RF Dimensions

(Unit : mm)

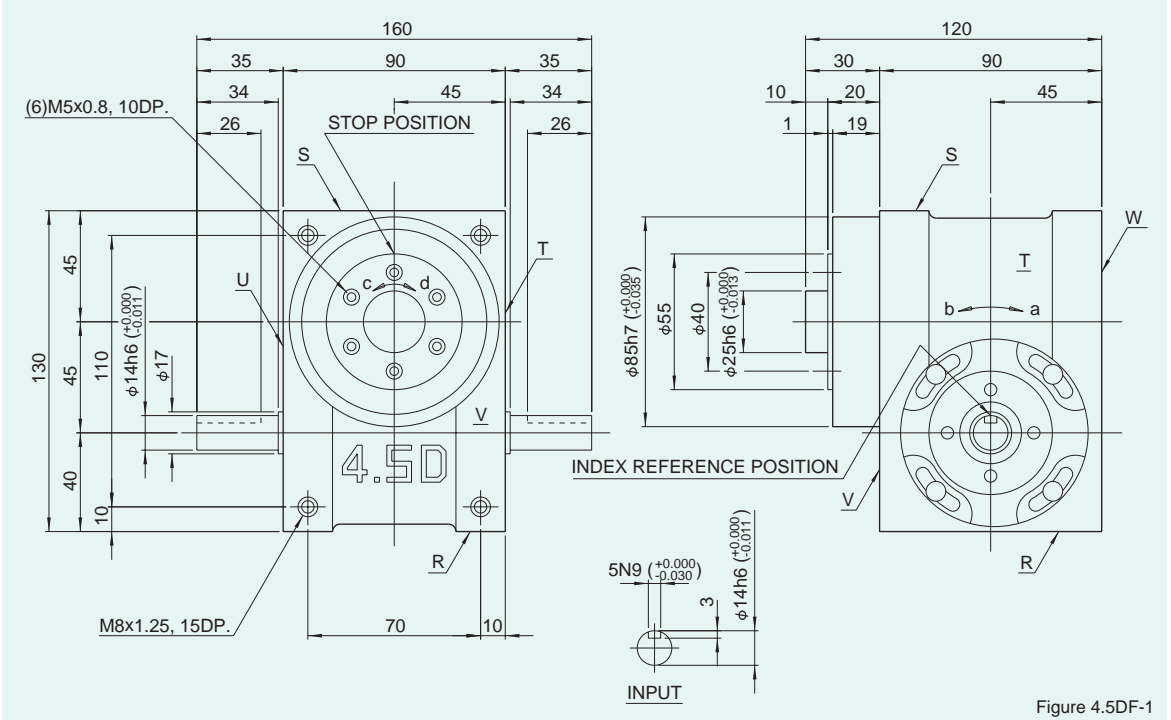
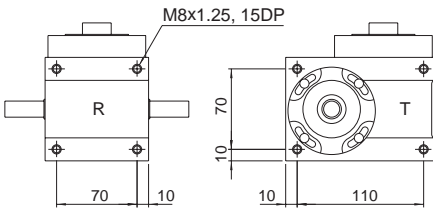


Figure 4.5DF-1

Mounting hole locations Figure 4.5DF-2



Precautions

- The 4.5DF is permanently grease lubricated.
- No service is necessary.

Dimension of R, S, T, and U surface

Specifications

Table 4.5DF-1

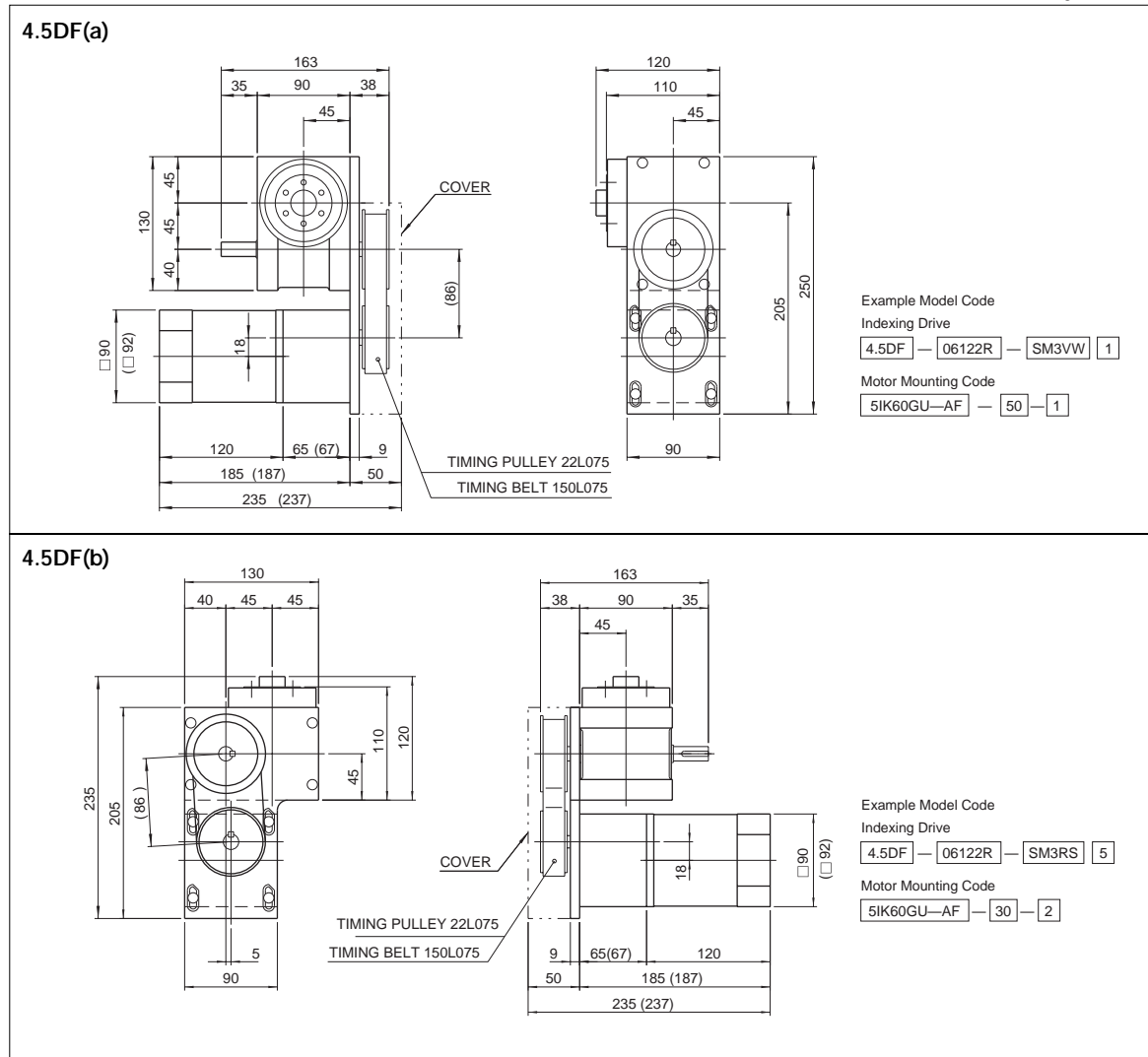
Item	Symbol	Unit	Value	Item	Symbol	Unit	Value	Item	Symbol	Unit	Value
Output allowable axial load	P ₁	N	1274	Input allowable axial load	P ₄	N	833	Indexing accuracy (1 DWELL)		sec	±60
Output allowable radial load	P ₂	N	1372	Input maximum repetitious bending force	P ₅	N	1078	Indexing accuracy (2 DWELL)		sec	±120
Output static torque	T _s	N·m	Refer to Torque Capacity Table	Input maximum repetitious allowable torque	P ₆	N·m	39.2	Indexing accuracy (3 DWELL)		sec	±180
Output torsional rigidity	K ₁	N·m/rad	3.72×10 ⁴	Input torsional rigidity	K ₂	N·m/rad	2.74×10 ³	Indexing accuracy (4 DWELL)		sec	±240
Output inertia	J _o	kg·m ²	3.5×10 ⁻⁴	Input inertia	J ₁	kg·m ²	8.0×10 ⁻⁵	Repetitive accuracy		sec	30
Output allowable bending moment	P ₃	N·m	44.1					Product weight		kg	6.5
								Housing color		Gray	

Note : Input inertia : J is calculated in dwell.

(1N=0.102kgf)

Mounted accessories

Figure 4.5DF-3



Induction motor specifications

Table 4.5DF-2

Motor model		Output power (W)	Frequency (Hz)	Voltage (V)	Current (A)	Starting torque (N·m)	Rated torque (N·m)	Rotating speed (rpm)	Capacitor (μF)	Gear head model	
										Ball bearing type	
Oriental Motors	5IK60GU-AF	60	50	100	1.4	0.32	0.45	1300	15.0	5GU	KB
			60								
Panasonic	M9IC60G4L	60	50	100	1.3	0.441	0.451	1275	15.0	M9GD	B
			60								

Precautions

- The mounting base of the motor mounts on the sides T or U of the indexing drive as shown in Figure 4.5DF-(a),(b).
- Figure 4.5DF-(a),(b) shows the opposite of when mounted on side U.
- Dimensions in parenthesis indicate Panasonic motor.
- When ordering, always specify the gear reduction ratio along with the indexing drive code number.
- Note:For details on the induction motor, refer to the brochure for Oriental Motors (or Panasonic).

Allowable torque with gear head

Table 4.5DF-3

Rotating speed (rpm)		200	120	100	60	50	30	20	15	10
50Hz Gear ratio	60Hz Gear ratio	7.5	12.5	15	25	30	50	75	100	150
		9	15	18	30	36	60	90	120	180
Allowable torque(N·m)	5IK60GU-AF	2.7	4.1	4.9	7.4	8.9	14.9	19.9	20	20
	M9IC60G4L	2.35	3.92	4.70	7.55	9.11	15.19	19.60	19.60	19.60

(1N·m≒0.102kgf·m)