

80DTR Dimensions

(Unit : mm)

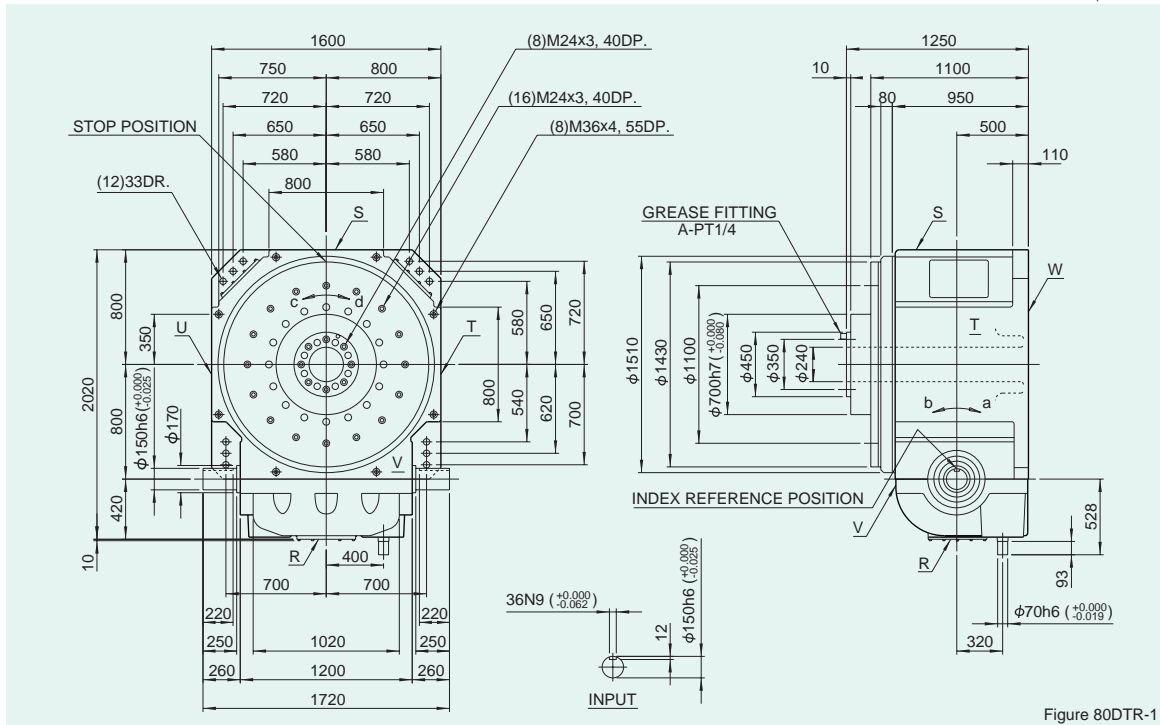


Figure 80DTR-1

Locations of oil plug, etc., and oil capacity

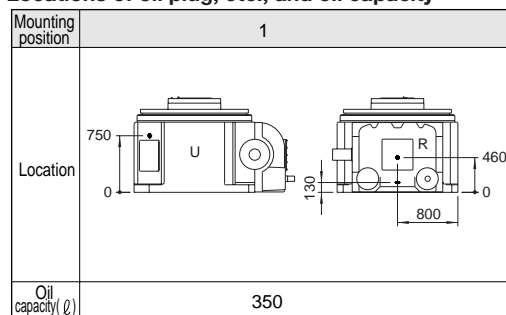


Figure 80DTR-2

Precautions

- Each point indicated in the mounting positions shown in Figure 80DTR-2 represents (starting at top) the oil plug (PT2), oil level (VC), and drain (PT2).
- The mounting positions correspond to code i for the indexing, oscillating, and roller drives.
- The oil levels indicated in Figure 80DTR-2 are given in general figures and will differ according to the profile of the cam and the number of cam followers.

Specifications

Table 80DTR-1

Item	Symbol	Unit	Value	Item	Symbol	Unit	Value	Item	Symbol	Unit	Value
Output allowable axial load	P ₁	N	196000	Input allowable axial load	P ₄	N	57820	Indexing accuracy (1 DWELL)		sec	±20
Output allowable radial load	P ₂	N	62720	Input maximum repetitious bending force	P ₅	N	68600	Indexing accuracy (2 DWELL)		sec	±40
Output static torque	T _s	N·m	Refer to Torque Capacity Table	Input maximum repetitious allowable torque	P ₆	N·m	38220	Indexing accuracy (3 DWELL)		sec	±60
Output torsional rigidity	K ₁	N·m/rad	4.12x10 ⁸	Input torsional rigidity	K ₂	N·m/rad	5.29x10 ⁶	Indexing accuracy (4 DWELL)		sec	±80
Output inertia	J _o	kg·m ²	625.0	Input inertia	J ₁	kg·m ²	29.3	Repetitive accuracy		sec	20
Output allowable bending moment	P ₃	N·m	8330					Product weight		kg	12000
								Housing color		Gray	

Note : Input inertia : J is calculated in dwell.

(1N=0.102kgf)