

8DT/8RT Dimensions

(Unit : mm)

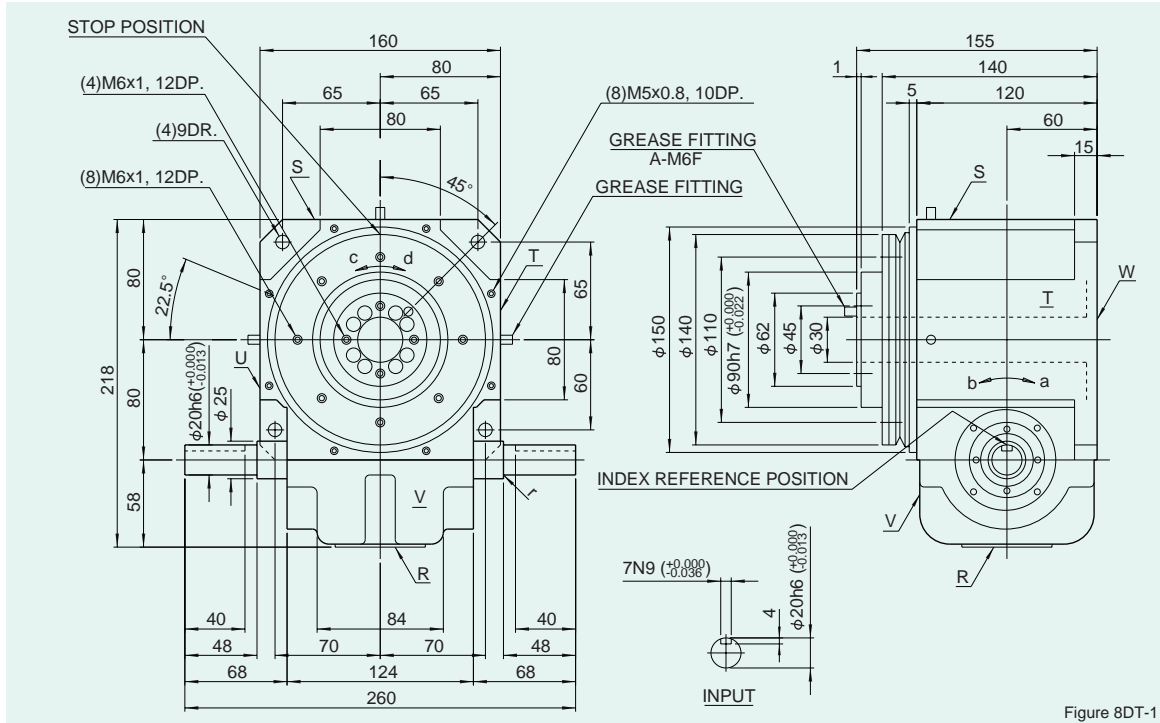


Figure 8DT-1

Locations of oil plug, etc., and oil capacity

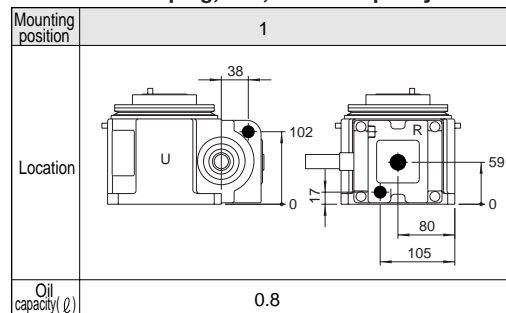


Figure 8DT-2

Precautions

- Each point indicated in the mounting positions shown in Figure 8DT-2 represents (starting at top) the oil plug (PT3/8), oil level (VA-01), and drain (PT3/8).
- The mounting positions correspond to code i for the indexing, oscillating, and roller drives.
- The oil levels indicated in Figure 8DT-2 are given in general figures and will differ according to the profile of the cam and the number of cam followers.

Specifications

Table 8DT-1

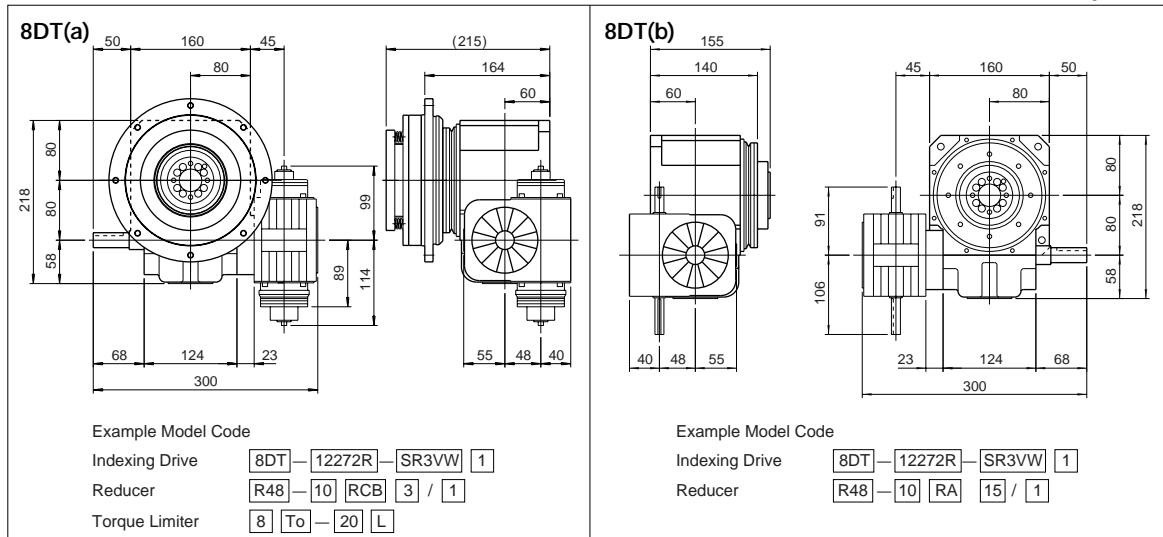
Item	Symbol	Unit	Value	Item	Symbol	Unit	Value	Item	Symbol	Unit	Value
Output allowable axial load	P ₁	N	4704	Input allowable axial load	P ₄	N	1666	Indexing accuracy (1 DWELL)		sec	±30
Output allowable radial load	P ₂	N	2548	Input maximum repetitious bending force	P ₅	N	1470	Indexing accuracy (2 DWELL)		sec	±60
Output static torque	T _s	N·m	Refer to Torque Capacity Table	Input maximum repetitious allowable torque	P ₆	N·m	93.1	Indexing accuracy (3 DWELL)		sec	±90
Output torsional rigidity	K ₁	N·m/rad	1.76x10 ⁵	Input torsional rigidity	K ₂	N·m/rad	843x10 ³	Indexing accuracy (4 DWELL)		sec	±120
Output inertia	J _o	kg·m ²	8.68x10 ⁻³	Input inertia	J ₁	kg·m ²	7.25x10 ⁻⁴	Repetitive accuracy		sec	30
Output allowable bending moment	P ₃	N·m	61.7					Product weight		kg	20
								Housing color		Gray	

Note : Input inertia : J is calculated in dwell.

(1N=0.102kgf)

Mounted accessories

Figure 8DT-3



Precautions

- Models 8DT and 8RT can be equipped with reducer R48.
- The reducer can be mounted in 16 different positions as shown on page of Reducer.
- Models 8DT and 8RT can be equipped with torque limiters 8To.
- Reducers require a collar for mounting.