

11AD

11AD Dimensions

(Unit : mm)

(a) With 0.4kW Motor

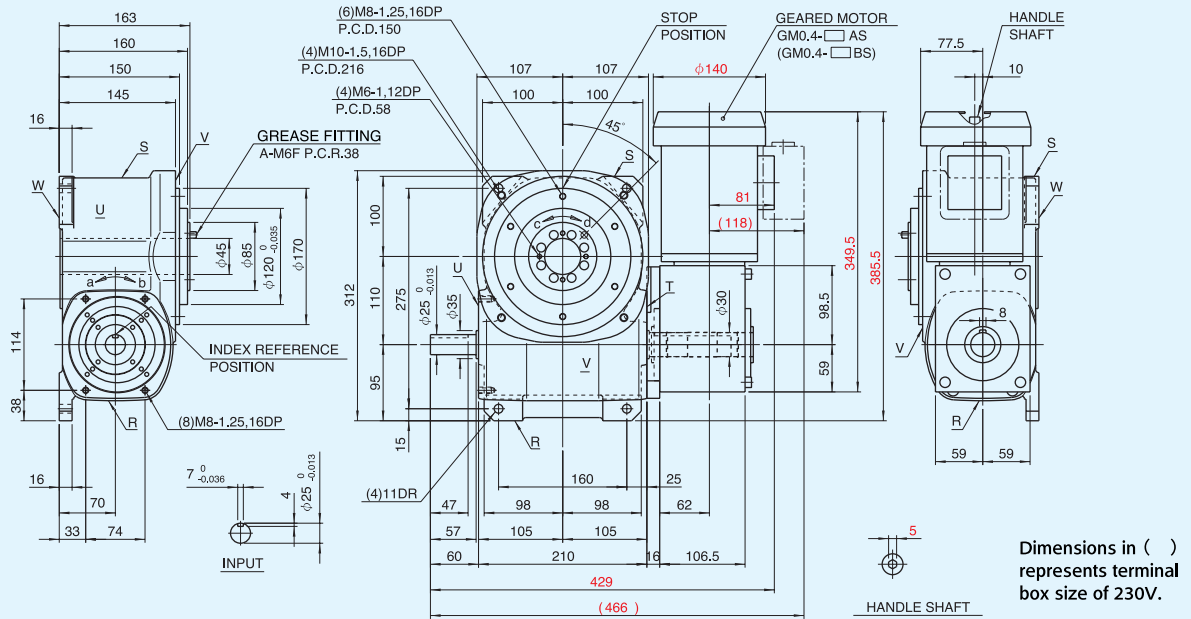


Figure 11AD-1

(b) With 0.75kW Motor

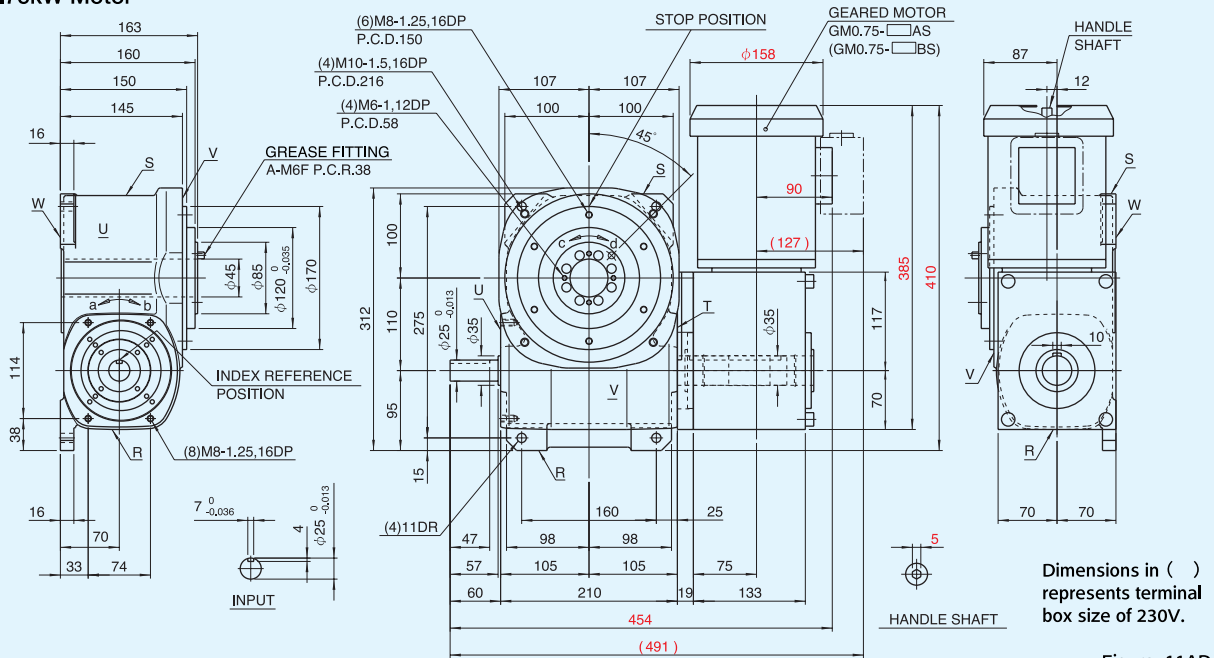


Figure 11AD-2

Specifications of indexing drive

Table 11AD-1

Item	Symbol	Unit	Value	Item	Symbol	Unit	Value	Item	Symbol	Unit	Value
Output allowable axial load	P_1	N	6800	Input allowable axial load	P_4	N	3000	Indexing accuracy (1 DWELL)		sec	± 30
Output allowable radial load	P_2	N	3400	Input maximum repetitious bending force	P_5	N	3500	Indexing accuracy (2 DWELL)		sec	± 60
Output static torque	T_s	$N \cdot m$	Refer to Torque Capacity Table	Input maximum repetitious allowable torque	P_6	$N \cdot m$	294	Repetitive accuracy		sec	30
Output torsional rigidity	K_1	$\frac{N \cdot m}{rad}$	4.43×10^5	Input torsional rigidity	K_2	$N \cdot m$	3.98×10^4	Product weight (without reducer)		kg	42
Output moment of inertia : J	J_o	$kg \cdot m^2$	1.39×10^{-2}	Input moment of inertia : J	J_c	$kg \cdot m^2$	6.0×10^{-3}	Housing color	Ivory		
Output allowable bending moment	P_3	$N \cdot m$	147					Geared Motor color	Aqua marine		

Note: Input moment of inertia : J is calculated in dwell.

$1N \cdot m \approx 0.102kgf \cdot m$

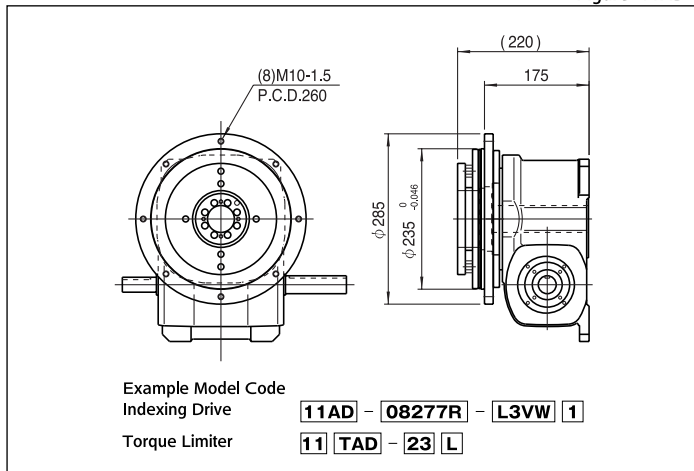
Specifications of geared motor

Table 11AD-2

Code		Motor Power (kW)	Actual Gear Ratio (i)	Output Shaft Speed N _M (rpm)		Output Allowable Torque T _R (N·m)		Moment of inertia J _M (kg·m ²)	Weight (kg)
200/220V	230V			50Hz	60Hz	50Hz	60Hz		
GM0.4-20AS-11AD	GM0.4-20BS-11AD	0.4	20	75	90	44.1	37.2	0.98×10 ⁻³	10.2
GM0.4-25AS-11AD	GM0.4-25BS-11AD		25	60	72	55.9	46.1		
GM0.4-30AS-11AD	GM0.4-30BS-11AD		30	50	60	66.6	55.9		
GM0.4-40AS-11AD	GM0.4-40BS-11AD		40	37.5	45	84.3	70.6		
GM0.4-50AS-11AD	GM0.4-50BS-11AD		50	30	36	106.0	88.2		
GM0.75-10AS-11AD	GM0.75-10BS-11AD	0.75	10	150	180	42.1	34.3	1.43×10 ⁻³	19
GM0.75-15AS-11AD	GM0.75-15BS-11AD		15	100	120	62.7	51.9		
GM0.75-20AS-11AD	GM0.75-20BS-11AD		20	75	90	83.3	69.6		
GM0.75-25AS-11AD	GM0.75-25BS-11AD		25	60	72	104	87.2		
GM0.75-30AS-11AD	GM0.75-30BS-11AD		30	50	60	125	104		
GM0.75-40AS-11AD	GM0.75-40BS-11AD		40	37.5	45	159	132		
GM0.75-50AS-11AD	GM0.75-50BS-11AD		50	30	36	198	165		

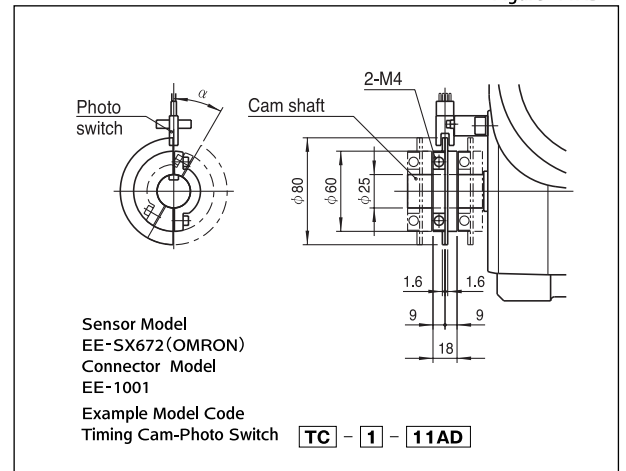
Torque limiter mounting specifications (option)

Figure 11AD-3



Timing cam-Photo switch

Figure 11AD-4



Precautions

- The dimension drawing (Figure 11AD-1, 11AD-2) shows the standard mounting position for geared motor.
- Model 11AD can be equipped with 0.4kW and 0.75kW motor. Exchange is not permitted after purchase because of different hollow size of geared motor.
- When using the 0.75kW motor, the motor will protrude beyond the indexer flange, and geared motor's bottom surface will also protrude beyond Index W surface.
- Model 11AD can be equipped with torque limiter 11TAD.
- Up to 3 sets of timing cams and photo switches can be added as necessary.
- The timing cam can be freely adjusted to any period (α) below 180°.

Standard input shaft (T surface side)

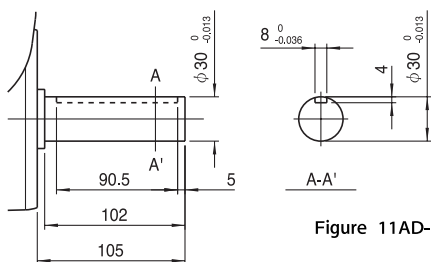


Figure 11AD-5

Output fixed flange specifications

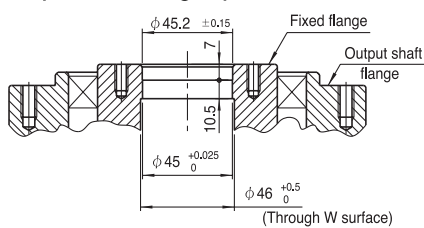


Figure 11AD-6

Locations of oil plug, etc., and oil capacity

Figure 11AD-7

Mounting position	1	2	5
Location			
Oil capacity (ℓ)	0.8	1.4	1.6

Precautions

- Each point indicated in the mounting positions shown in Figure 11AD-7 represents (starting at top) the oil plug (PT1/2), oil level (VA), and drain (PT1/2).
- The mounting positions correspond to code i for the indexing drives.
- The oil capacities indicated in Figure 11AD-7 are given in general figures and will differ according to the profile of the cam and the number of cam followers.