

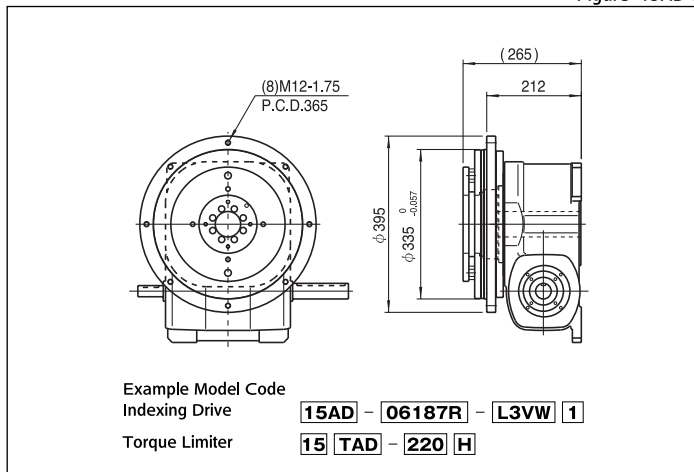
Specifications of geared motor

Table 15AD-2

Code		Motor Power (kW)	Actual Gear Ratio (i)	Output Shaft Speed N _M (rpm)		Output Allowable Torque T _R (N·m)		Moment of inertia J _M (kg·m ²)	Weight (kg)
200/220V	230V			50Hz	60Hz	50Hz	60Hz		
GM0.75-20AS-15AD	GM0.75-20BS-15AD			0.75	20	75	90		
GM0.75-25AS-15AD	GM0.75-25BS-15AD	25	60		72	104	87.2		
GM0.75-30AS-15AD	GM0.75-30BS-15AD	30	50		60	125	104		
GM0.75-40AS-15AD	GM0.75-40BS-15AD	40	37.5		45	159	132		
GM0.75-50AS-15AD	GM0.75-50BS-15AD	50	30		36	198	165		
GM1.5-10AS-15AD	GM1.5-10BS-15AD	1.5	10	150	180	83.3	69.6	6.90×10 ⁻³	45
GM1.5-15AS-15AD	GM1.5-15BS-15AD		15	100	120	124	104		
GM1.5-20AS-15AD	GM1.5-20BS-15AD		20	75	90	166	138		
GM1.5-25AS-15AD	GM1.5-25BS-15AD		25	60	72	208	173		
GM1.5-30AS-15AD	GM1.5-30BS-15AD		30	50	60	249	208		
GM1.5-40AS-15AD	GM1.5-40BS-15AD		40	37.5	45	317	264		
GM1.5-50AS-15AD	GM1.5-50BS-15AD		50	30	36	396	330		

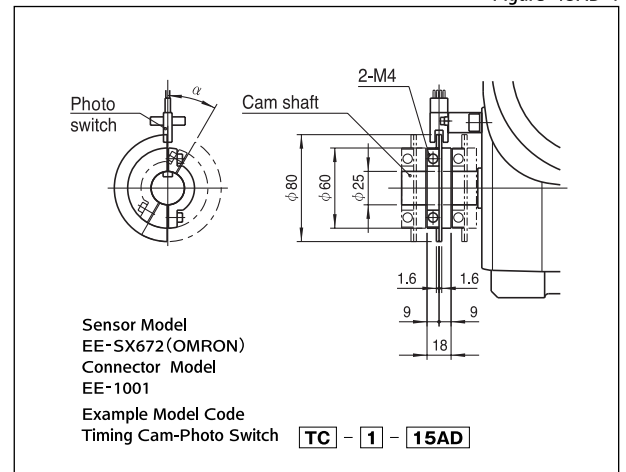
Torque limiter mounting specifications (option)

Figure 15AD-3



Timing cam-Photo switch

Figure 15AD-4



Precautions

- The dimension drawing (Figure 15AD-1, 15AD-2) shows the standard mounting position for geared motor.
- Model 15AD can be equipped with 0.75kW and 1.5kW motor. Exchange is not permitted after purchase because of different hollow size of geared motor. 2.2kW motor is also available as special instructions.
- When using the 1.5kW motor, the motor will protrude beyond the indexer flange, and geared motor's bottom surface will also protrude beyond Index W surface.
- Model 15AD can be equipped with torque limiter 15TAD.
- Up to 3 sets of timing cams and photo switches can be added as necessary.
- The timing cam can be freely adjusted to any period (α) below 180°.

Standard input shaft (T surface side)

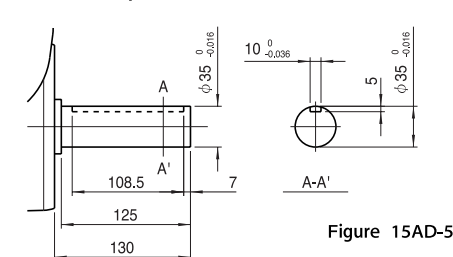


Figure 15AD-5

Output fixed flange specifications

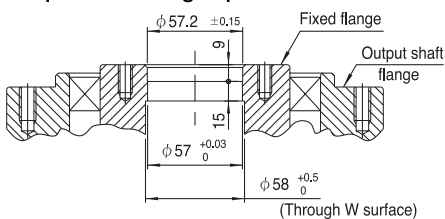


Figure 15AD-6

Locations of oil plug, etc., and oil capacity

Figure 15AD-7

Mounting position	1	2	5
Location			
Oil capacity (ℓ)	2.2	3	3.3

Precautions

- Each point indicated in the mounting positions shown in Figure 15AD-7 represents (starting at top) the oil plug (PT1/2), oil level (VA), and drain (PT1/2).
- The mounting positions correspond to code i for the indexing drives.
- The oil capacities indicated in Figure 15AD-7 are given in general figures and will differ according to the profile of the cam and the number of cam followers.