

23AD

23AD Dimensions

(Unit : mm)

(a) With 2.2kW Motor

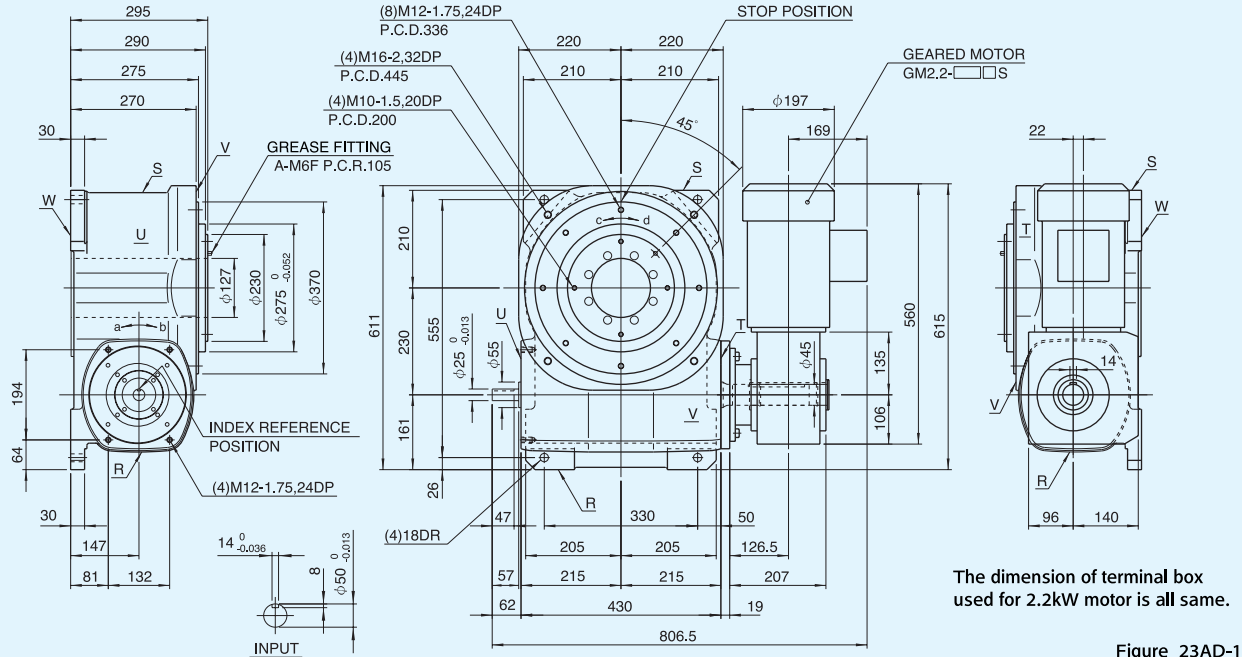


Figure 23AD-1

(b) With 3.7kW Motor

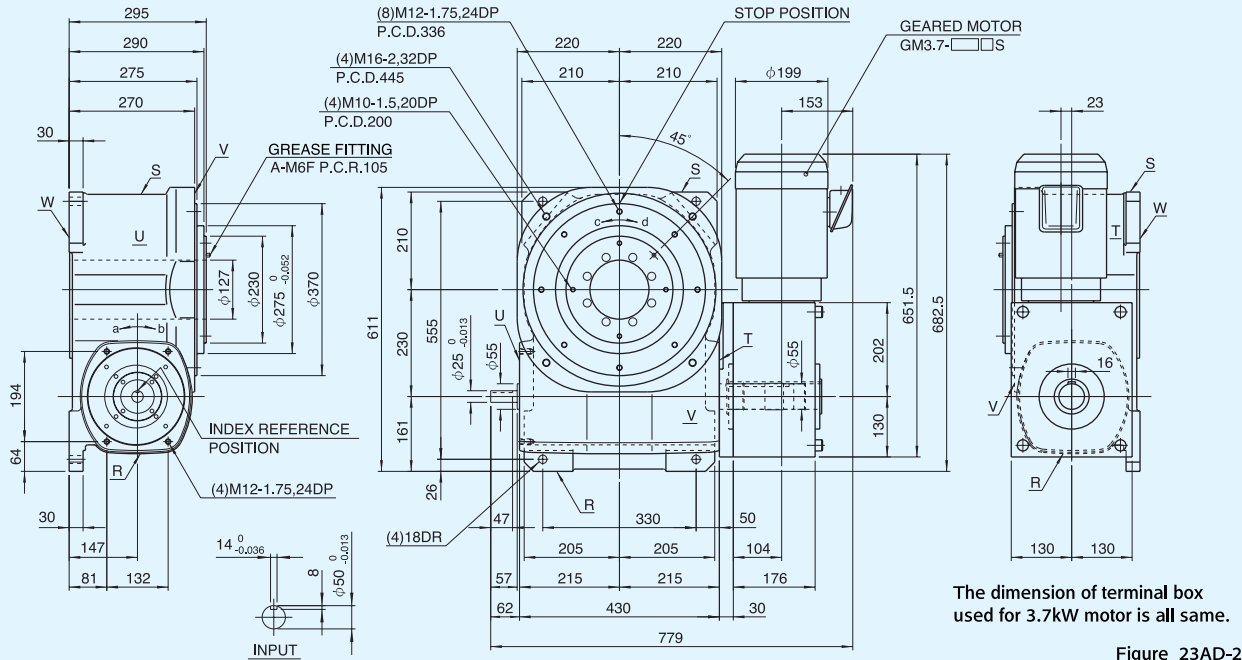


Figure 23AD-2

Specifications of indexing drive

Table 23AD-1

Item	Symbol	Unit	Value	Item	Symbol	Unit	Value	Item	Symbol	Unit	Value
Output allowable axial load	P ₁	N	27000	Input allowable axial load	P ₄	N	6000	Indexing accuracy (1 DWELL)		sec	± 30
Output allowable radial load	P ₂	N	12000	Input maximum repetitious bending force	P ₅	N	6000	Indexing accuracy (2 DWELL)		sec	± 60
Output static torque	T _s	N·m	Refer to Torque Capacity Table	Input maximum repetitious allowable torque	P ₆	N·m	784	Repetitive accuracy		sec	30
Output torsional rigidity	K ₁	N·m/rad	6.2 × 10 ⁶	Input torsional rigidity	K ₂	N·m/rad	1.14 × 10 ⁹	Product weight (without reducer)		kg	285
Output moment of inertia : J	J _o	kg·m ²	0.635	Input moment of inertia : J	J _c	kg·m ²	0.136	Housing color	Ivory		
Output allowable bending moment	P ₃	N·m	980					Geared Motor color	2.2kW···Ivory 3.7kW···Aqua marine		

Note: Input moment of inertia : J is calculated in dwell.

1N·m≒0.102kgf·m

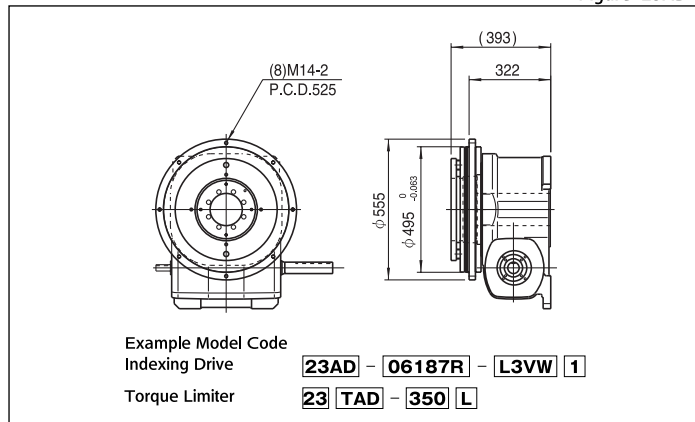
Specifications of geared motor

Table 23AD-2

Code		Motor Power (kW)	Actual Gear Ratio (i)	Output Shaft Speed N _M (rpm)		Output Allowable Torque T _R (N·m)		Moment of inertia J _M (kg·m ²)	Weight (kg)
200/220V	230V			50Hz	60Hz	50Hz	60Hz		
GM2.2-20.37AS-23AD	GM2.2-20.37BS-23AD	2.2	20.37	69	82	275	230	9.8×10 ⁻³	56
GM2.2-23.33AS-23AD	GM2.2-23.33BS-23AD		23.33	60	72	295	250		
GM2.2-26.93AS-23AD	GM2.2-26.93BS-23AD		26.93	52	62	340	285		
GM2.2-29.63AS-23AD	GM2.2-29.63BS-23AD		29.63	47	57	375	315		
GM2.2-34.80AS-23AD	GM2.2-34.80BS-23AD		34.80	40	48	435	365		
GM2.2-36.85AS-23AD	GM2.2-36.85BS-23AD		36.85	38	46	460	385		
GM2.2-41.89AS-23AD	GM2.2-41.89BS-23AD		41.89	34	40	520	440		
GM2.2-46.40AS-23AD	GM2.2-46.40BS-23AD		46.40	30	36	570	485		
GM3.7-10AS-23AD	GM3.7-10BS-23AD	3.7	10	150	180	205	171	8.0×10 ⁻³	73.5
GM3.7-15AS-23AD	GM3.7-15BS-23AD		15	100	120	308	256		
GM3.7-20AS-23AD	GM3.7-20BS-23AD		20	75	90	410	341		
GM3.7-25AS-23AD	GM3.7-25BS-23AD		25	60	72	489	407		
GM3.7-30AS-23AD	GM3.7-30BS-23AD		30	50	60	586	489		
GM3.7-40AS-23AD	GM3.7-40BS-23AD		40	37.5	45	782	652		
GM3.7-50AS-23AD	GM3.7-50BS-23AD		50	30	36	977	814		

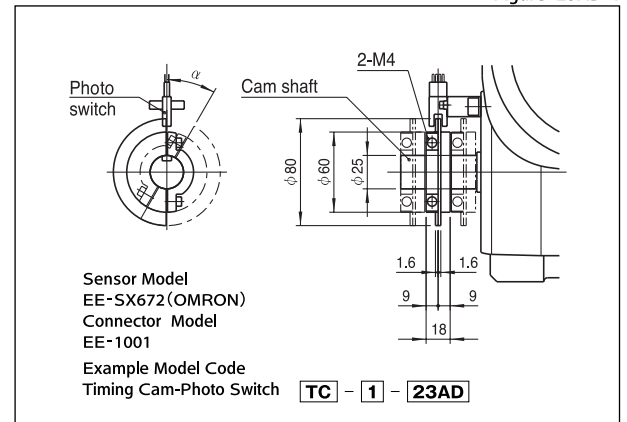
Torque limiter mounting specifications (option)

Figure 23AD-3



Timing cam-Photo switch

Figure 23AD-4



Precautions

- The dimension drawing (Figure 23AD-1, 23AD-2) shows the standard mounting position for geared motor.
- Model 23AD can be equipped with 2.2kW and 3.7kW motor. Exchange is not permitted after purchase because of different hollow size of geared motor. 5.5kW motor is also available as special instructions.
- When using the 3.7kW motor, reducer box will protrude beyond the indexer flange.
- Model 23AD can be equipped with torque limiter 23TAD.
- Up to 3 sets of timing cams and photo switches can be added as necessary.
- The timing cam can be freely adjusted to any period (α) below 180°.

Standard input shaft (T surface side)

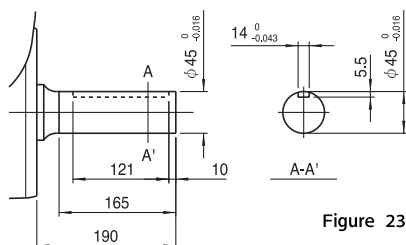


Figure 23AD-5

Output fixed flange specifications

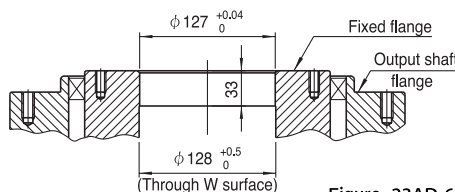


Figure 23AD-6

Locations of oil plug, etc., and oil capacity

Figure 23AD-7

Mounting position	1	2	5
Location			
Oil capacity (ℓ)	10	12	13

Precautions

- Each point indicated in the mounting positions shown in Figure 23AD-7 represents (starting at top) the oil plug (PT3/4), oil level (VB), and drain (PT3/4).
- The mounting positions correspond to code i for the indexing drives.
- The oil capacities indicated in Figure 23AD-7 are given in general figures and will differ according to the profile of the cam and the number of cam followers.