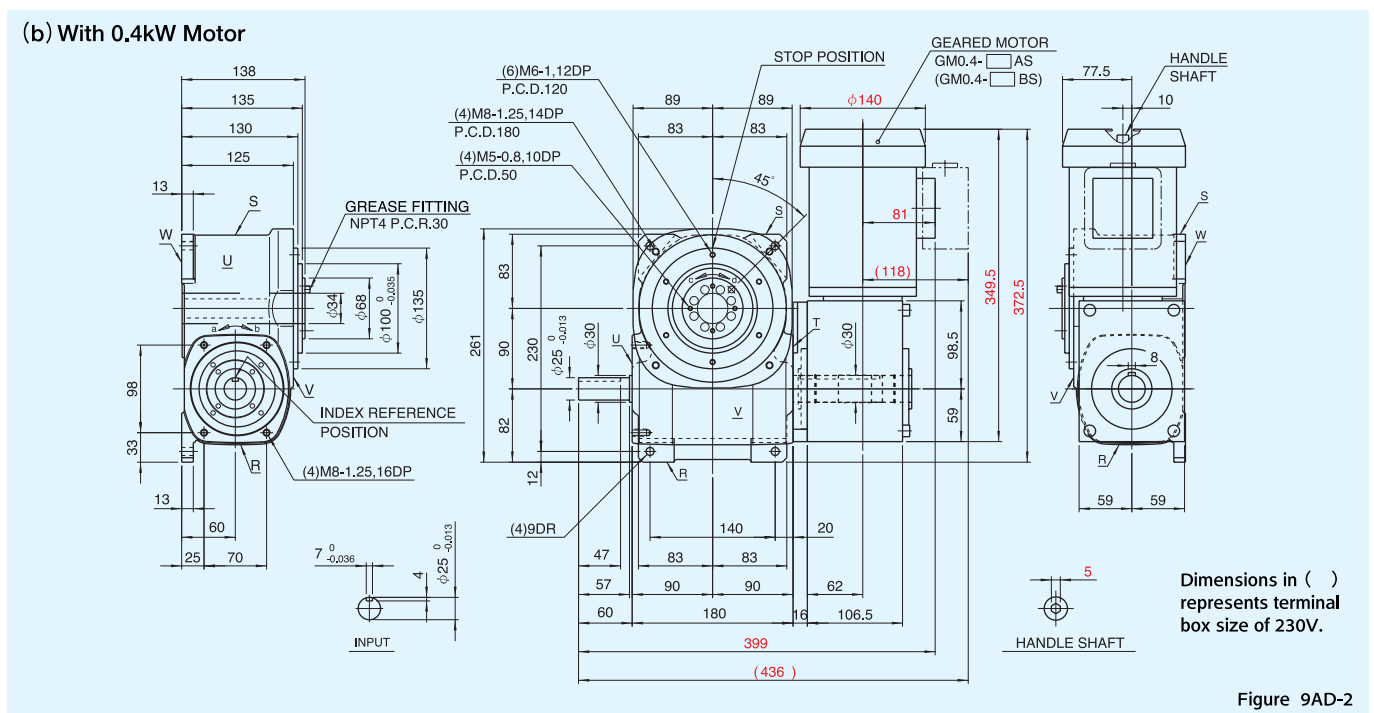
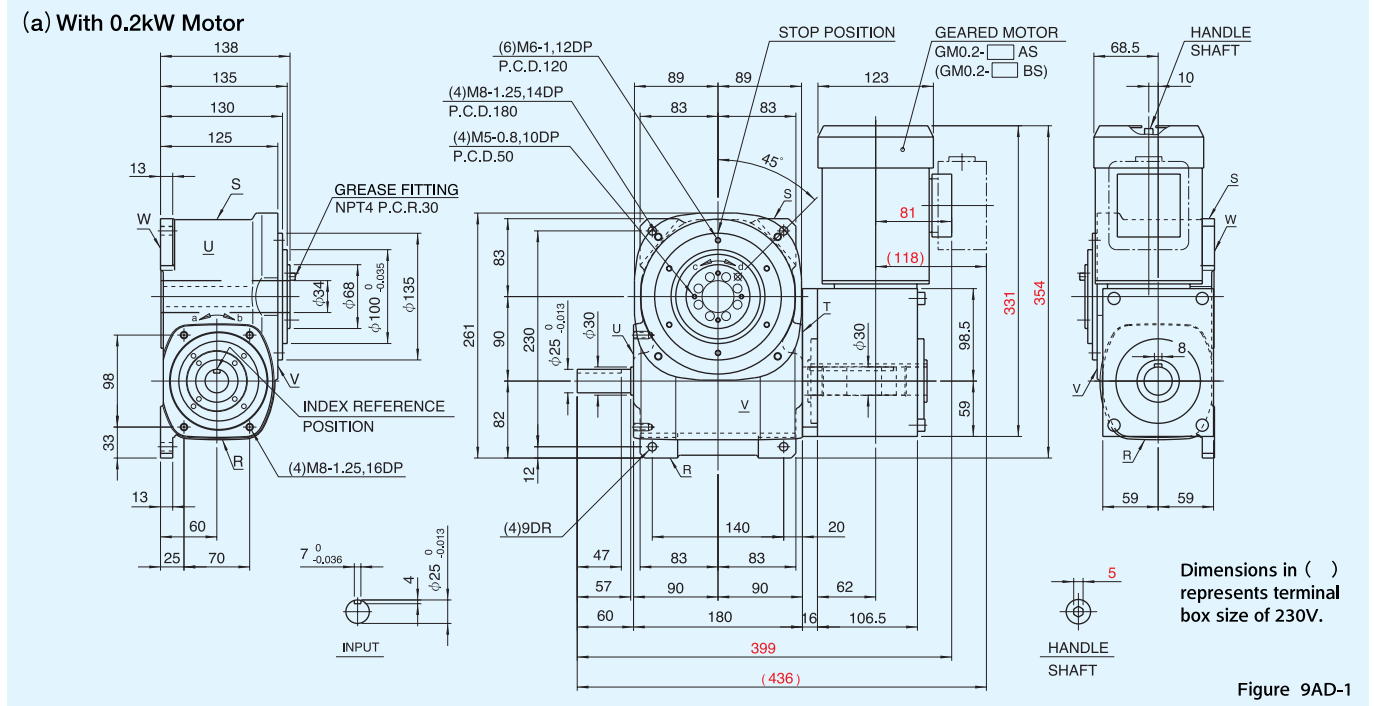


9AD

9AD Dimensions

(Unit : mm)



Specifications f indexing drive

Table 9AD-1

Item	Symbol	Unit	Value	Item	Symbol	Unit	Value	Item	Symbol	Unit	Value
Output allowable axial load	P ₁	N	4900	Input allowable axial load	P ₄	N	2500	Indexing accuracy (1 DWELL)		sec	± 30
Output allowable radial load	P ₂	N	2100	Input maximum repetitious bending force	P ₅	N	2500	Indexing accuracy (2 DWELL)		sec	± 60
Output static torque	T _s	N·m	Refer to Torque Capacity Table	Input maximum repetitious allowable torque	P ₆	N·m	245	Repetitive accuracy		sec	30
Output torsional rigidity	K ₁	N·m/rad	2.64 × 10 ⁵	Input torsional rigidity	K ₂	N·m/rad	3.36 × 10 ⁴	Product weight (without reducer)		kg	24
Output moment of inertia : J	J _o	kg·m ²	5.0 × 10 ⁻³	Input moment of inertia : J	J _c	kg·m ²	2.5 × 10 ⁻³	Housing color	Ivory		
Output allowable bending moment	P ₃	N·m	98					Geared Motor color	Aqua marine		

Note: Input moment of inertia : J is calculated in dwell.

1N·m≒0.102kgf·m

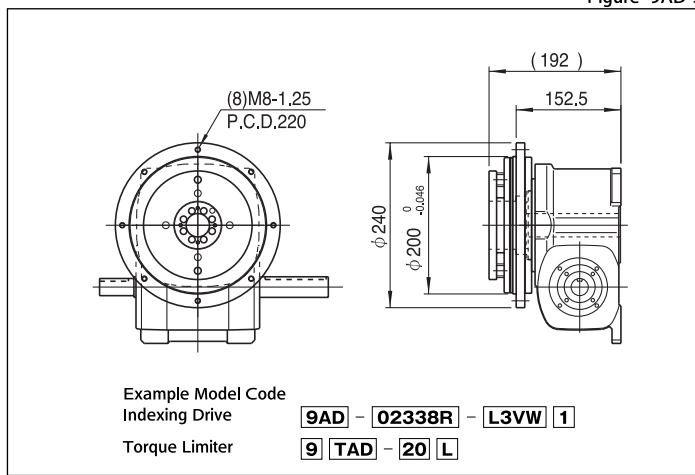
Specifications of geared motor

Table 9AD-2

Code		Motor Power (kW)	Actual Gear Ratio (i)	Output Shaft Speed N _M (rpm)		Output Allowable Torque T _R (N·m)		Moment of inertia J _m (kg·m ²)	Weight (kg)
200/220V	230V			50Hz	60Hz	50Hz	60Hz		
GM0.2-20AS-9AD	GM0.2-20BS-9AD	0.2	20	75	90	22.5	18.6	0.81×10 ⁻³	9.8
GM0.2-25AS-9AD	GM0.2-25BS-9AD		25	60	72	27.4	23.5		
GM0.2-30AS-9AD	GM0.2-30BS-9AD		30	50	60	33.3	27.4		
GM0.2-40AS-9AD	GM0.2-40BS-9AD		40	37.5	45	44.1	37.2		
GM0.2-50AS-9AD	GM0.2-50BS-9AD		50	30	36	55.9	46.1		
GM0.4-10AS-9AD	GM0.4-10BS-9AD	0.4	10	150	180	22.5	18.6	0.98×10 ⁻³	10.2
GM0.4-15AS-9AD	GM0.4-15BS-9AD		15	100	120	33.3	27.4		
GM0.4-20AS-9AD	GM0.4-20BS-9AD		20	75	90	44.1	37.2		
GM0.4-25AS-9AD	GM0.4-25BS-9AD		25	60	72	55.9	46.1		
GM0.4-30AS-9AD	GM0.4-30BS-9AD		30	50	60	66.6	55.9		
GM0.4-40AS-9AD	GM0.4-40BS-9AD		40	37.5	45	84.3	70.6		
GM0.4-50AS-9AD	GM0.4-50BS-9AD	50	30	36	106.0	88.2			

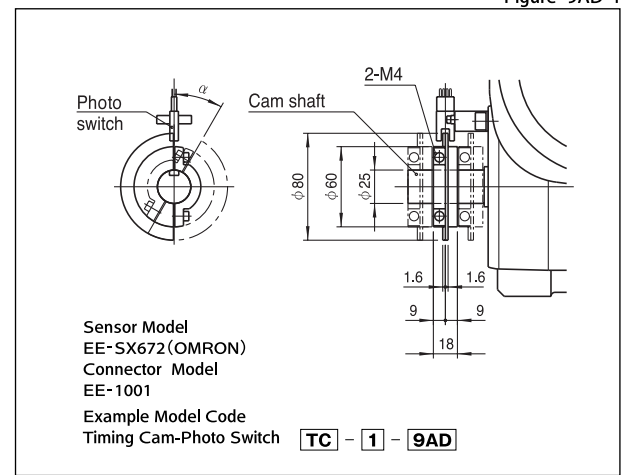
Torque limiter mounting specifications (option)

Figure 9AD-3



Timing cam-Photo switch

Figure 9AD-4



Precautions

- The dimension drawing (Figure 9AD-1, 9AD-2) shows the standard mounting position for the geared motor.
- Model 9AD can be equipped with 0.2kW and 0.4kW motor. Note, when using the 0.4kW motor, the motor will protrude beyond the indexer flange.
- Model 9AD can be equipped with torque limiter 9TAD.
- Up to 3 sets of timing cams and photo switches can be added as necessary.
- The timing cam can be freely adjusted to any period (α) below 180°.

Standard input shaft (T surface side)

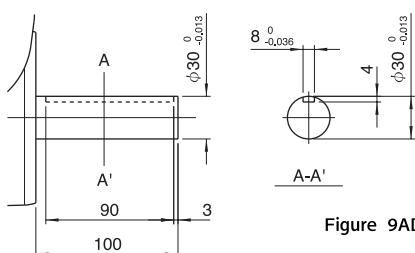


Figure 9AD-5

Output fixed flange specifications

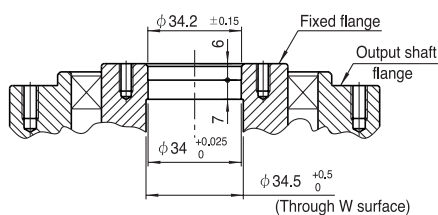


Figure 9AD-6

Locations of oil plug, etc., and oil capacity

Figure 9AD-7

Mounting position	1	2	5
Location			
Oil capacity (ℓ)	0.5	0.9	1.0

Precautions

- Each point indicated in the mounting positions shown in Figure 9AD-7 represents (starting at top) the oil plug (PT3/8), oil level (VA-01), and drain (PT3/8).
- The mounting positions correspond to code i for the indexing drives.
- The oil capacities indicated in Figure 9AD-7 are given in general figures and will differ according to the profile of the cam and the number of cam followers.